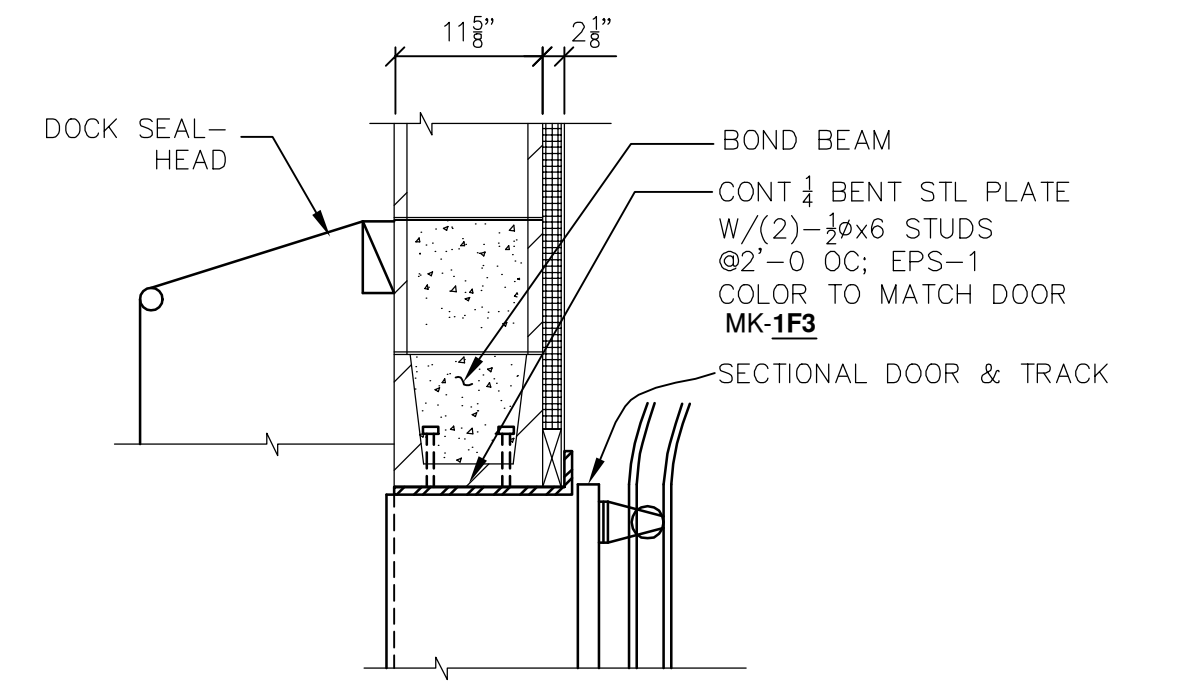
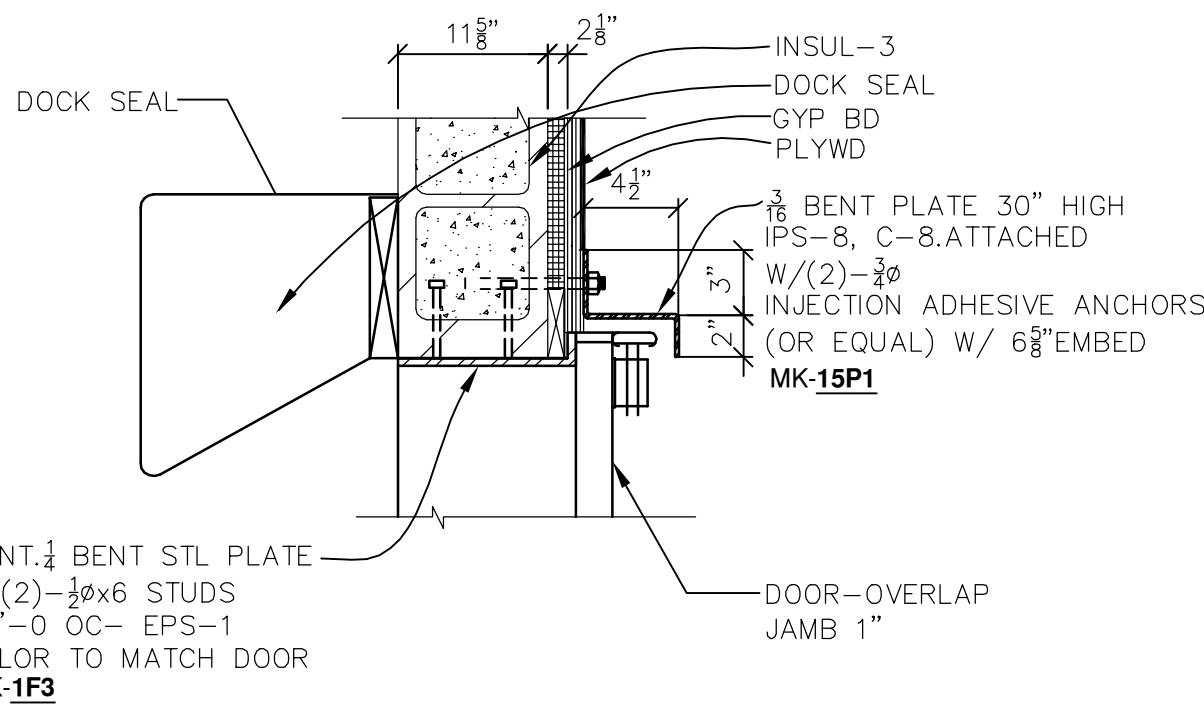


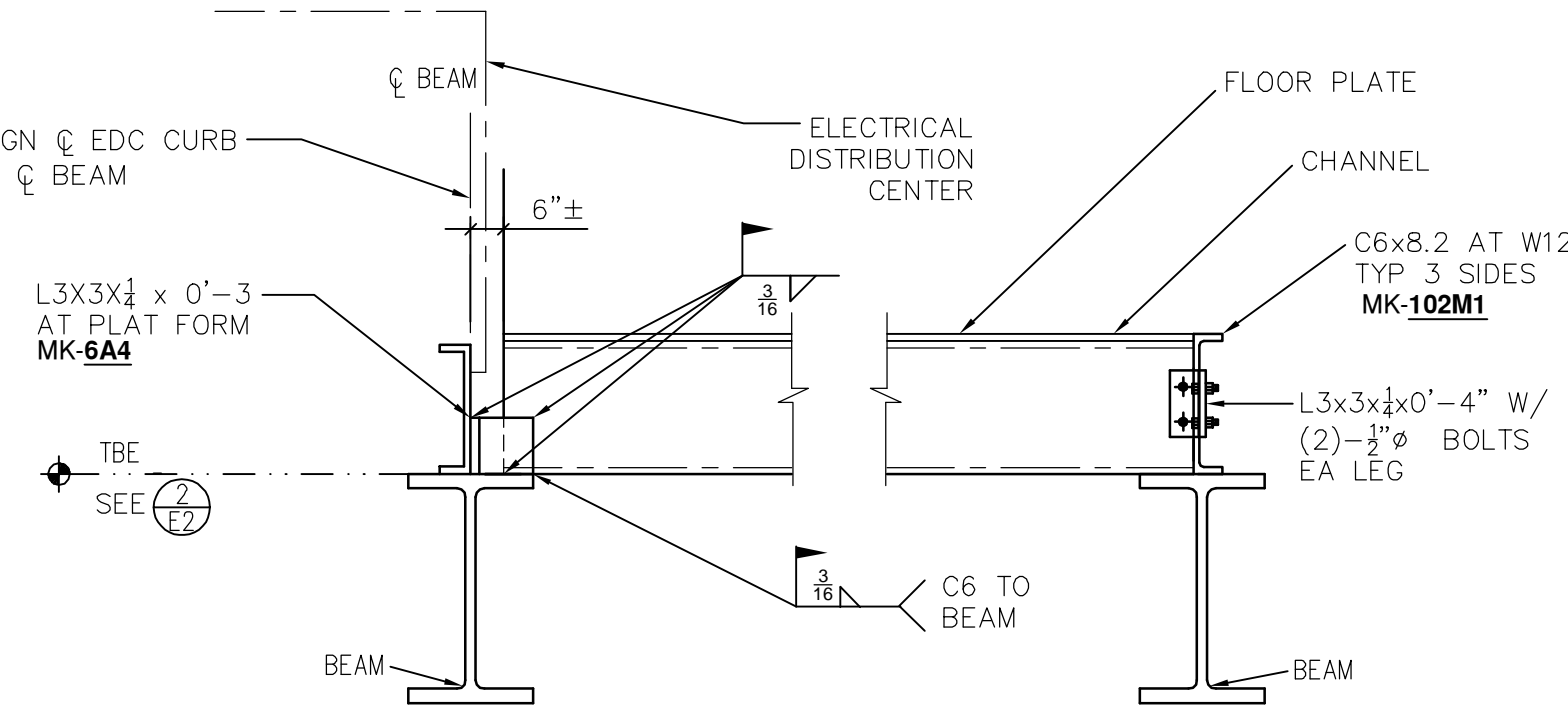
SECTION-1
REF: 5/S361,2/A362



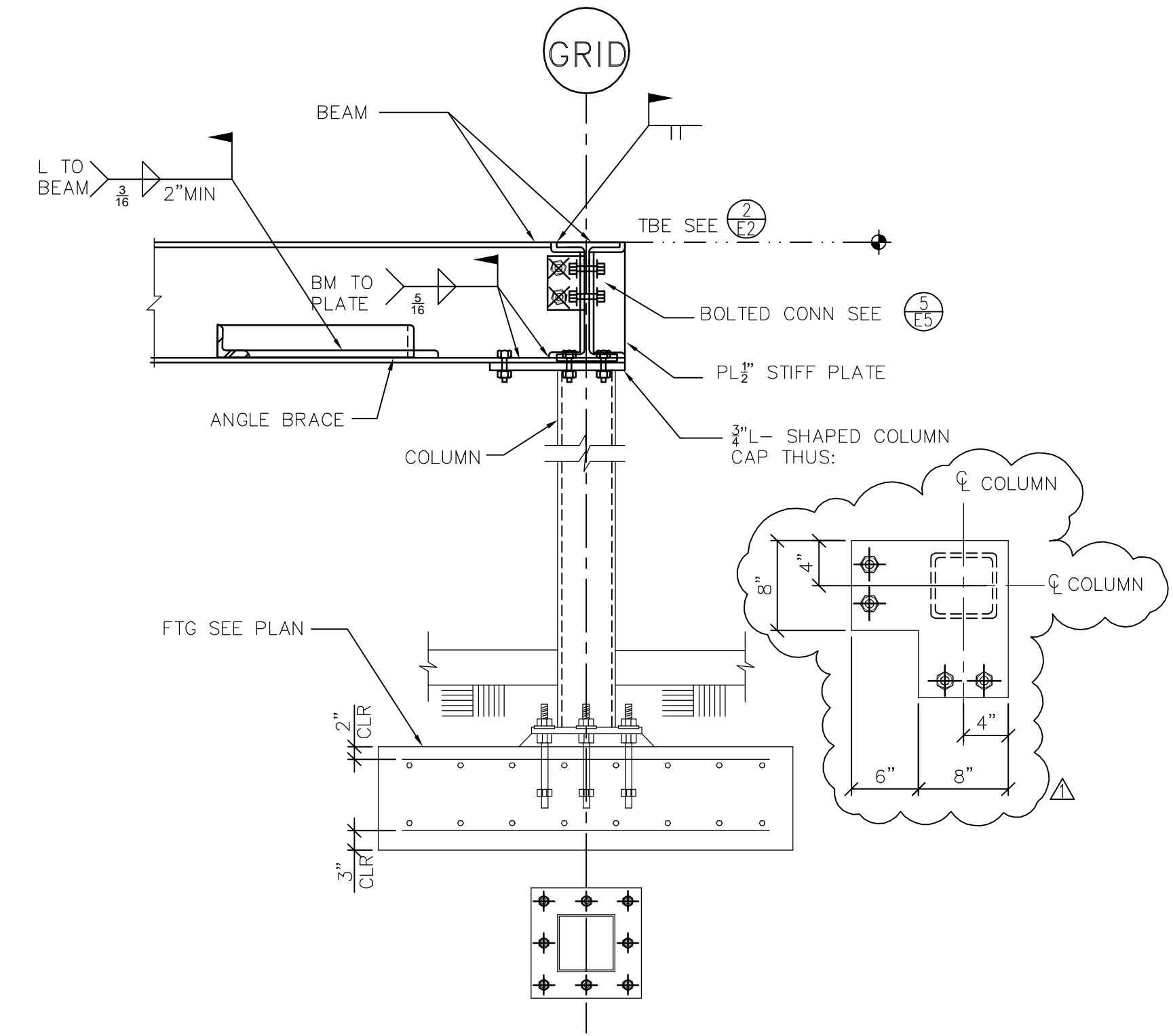
SECTION-1A
REF: 6/A362



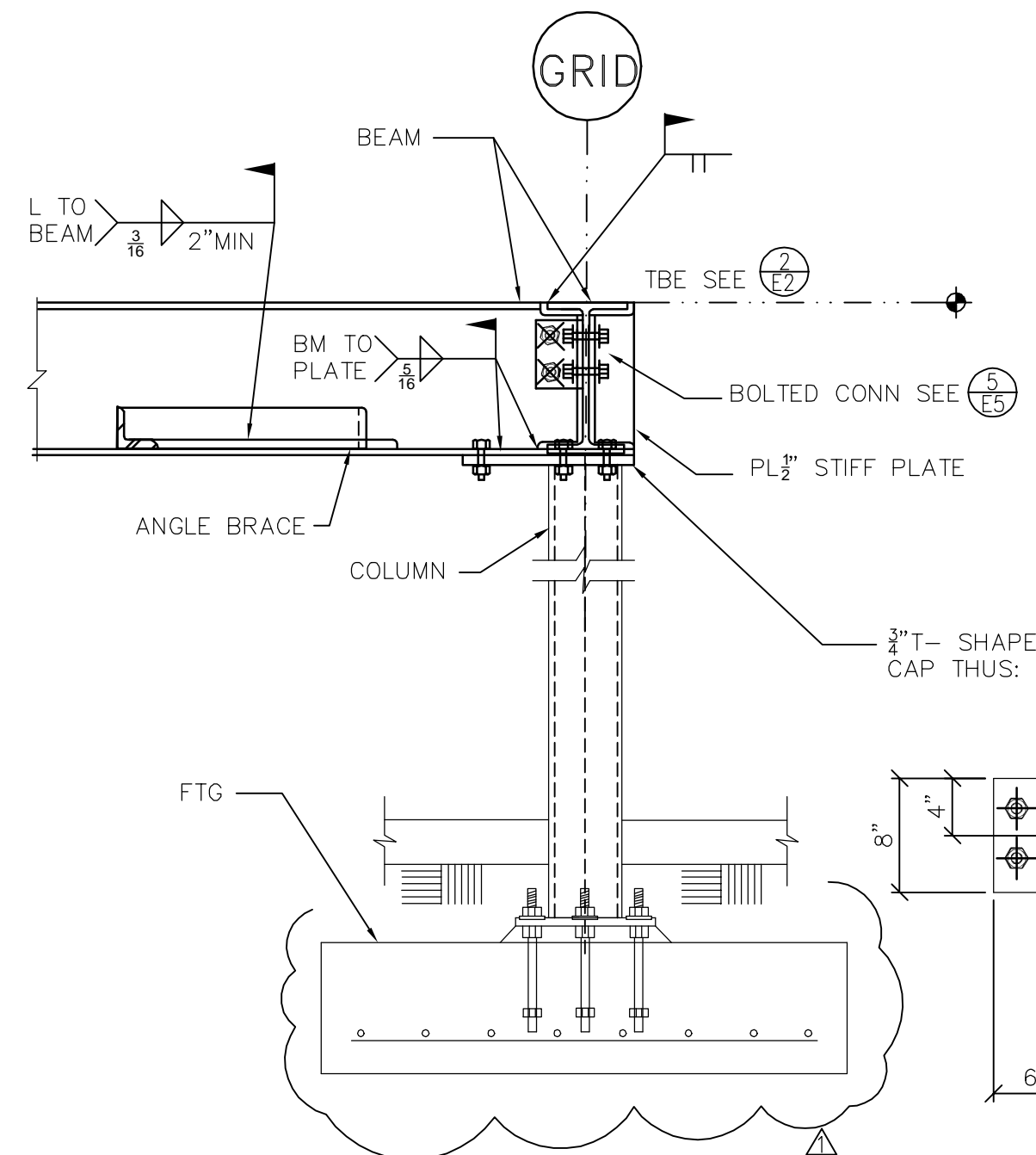
SECTION-1B
REF: 7/A362



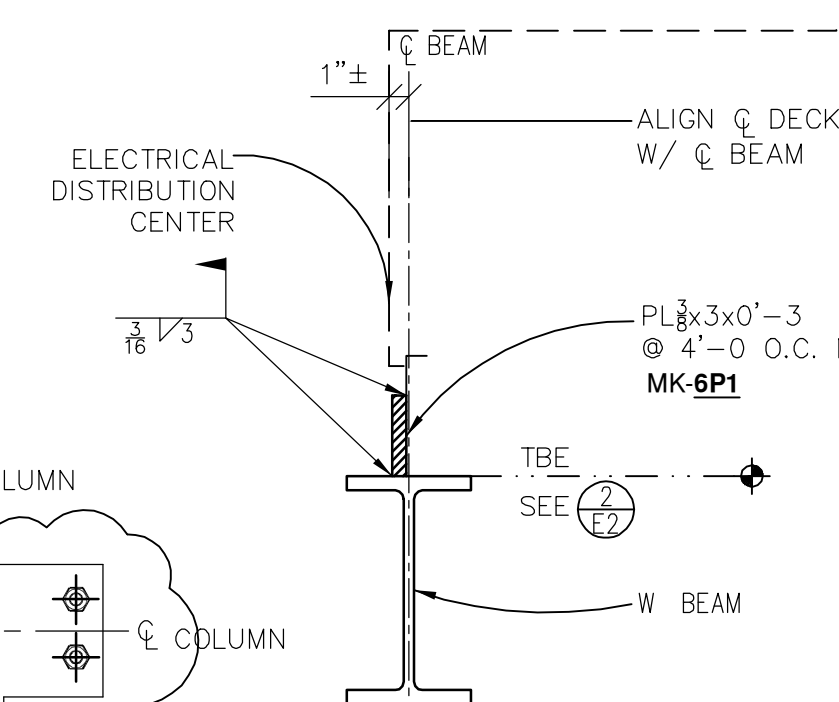
SECTION-2
REF: 9/S361



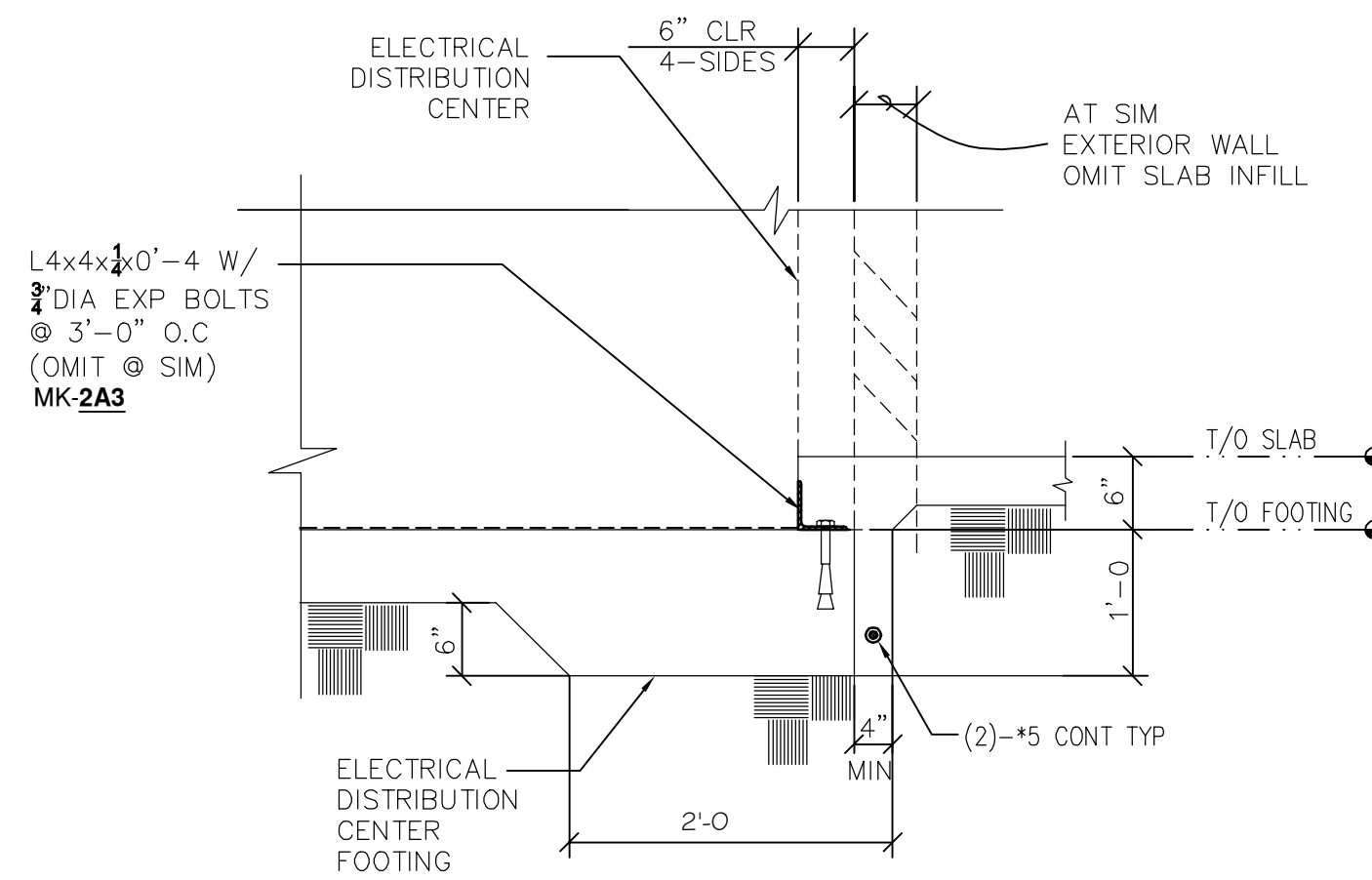
SECTION-3
REF: 11/S361



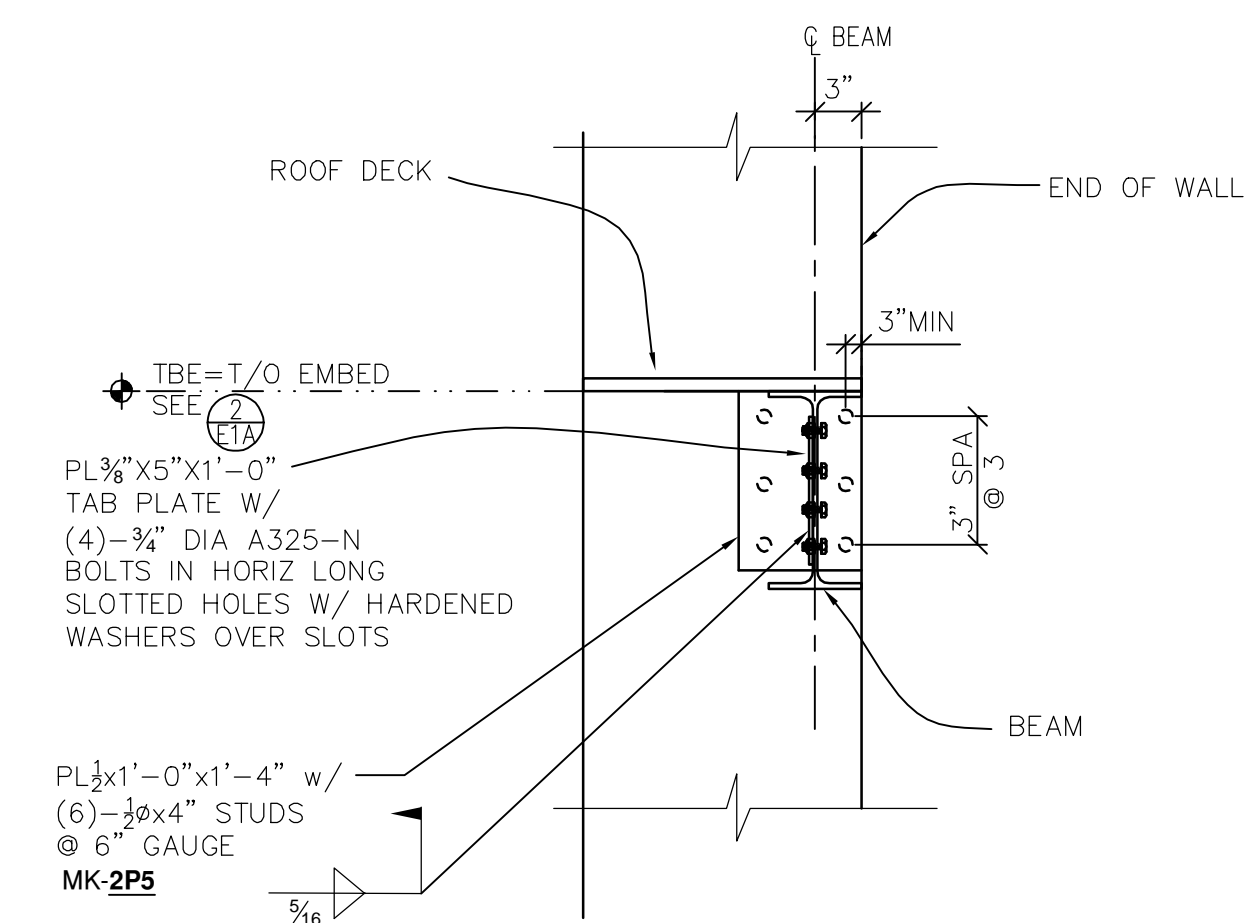
SECTION-3A
REF:



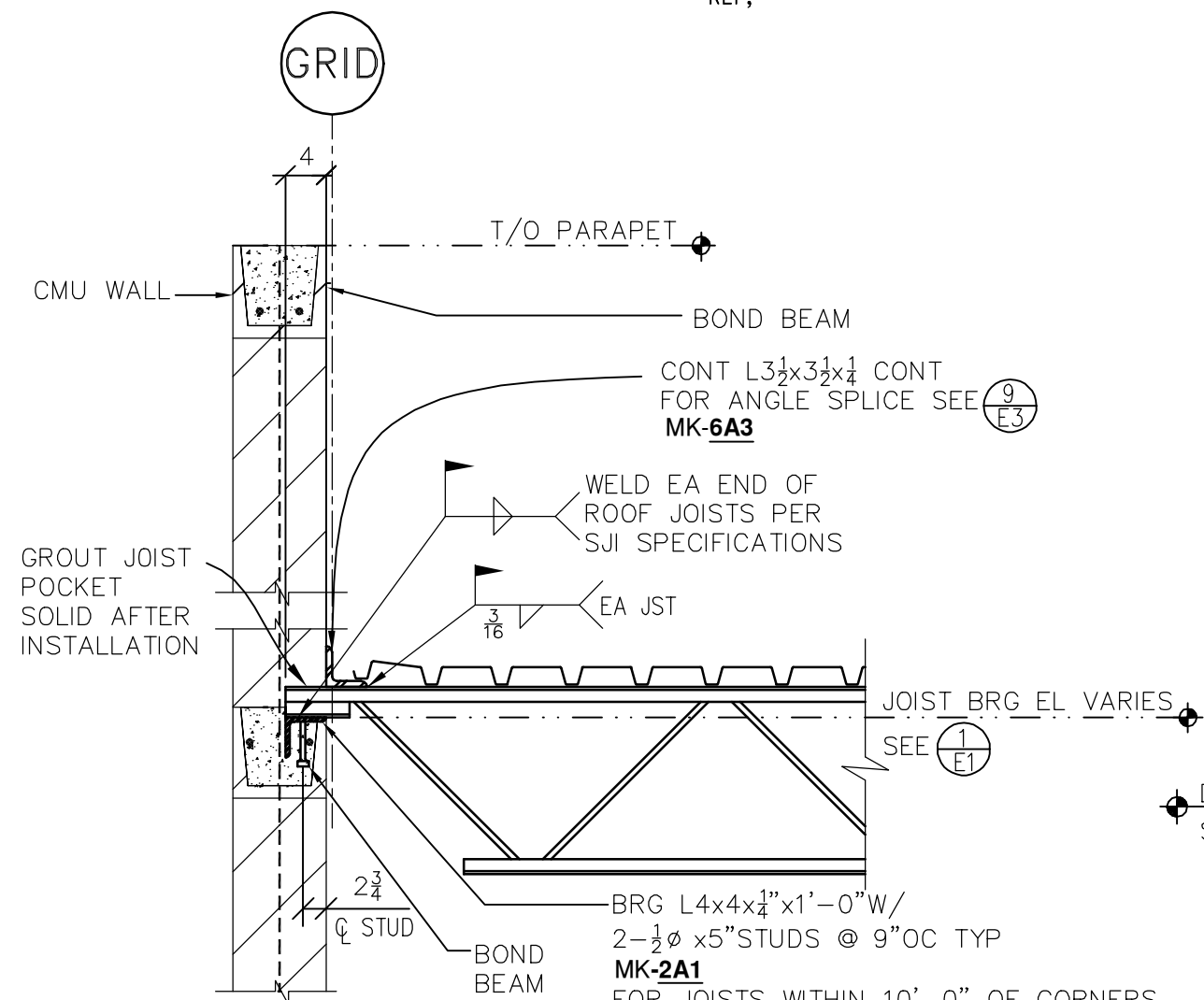
SECTION-4
REF: 12/S361



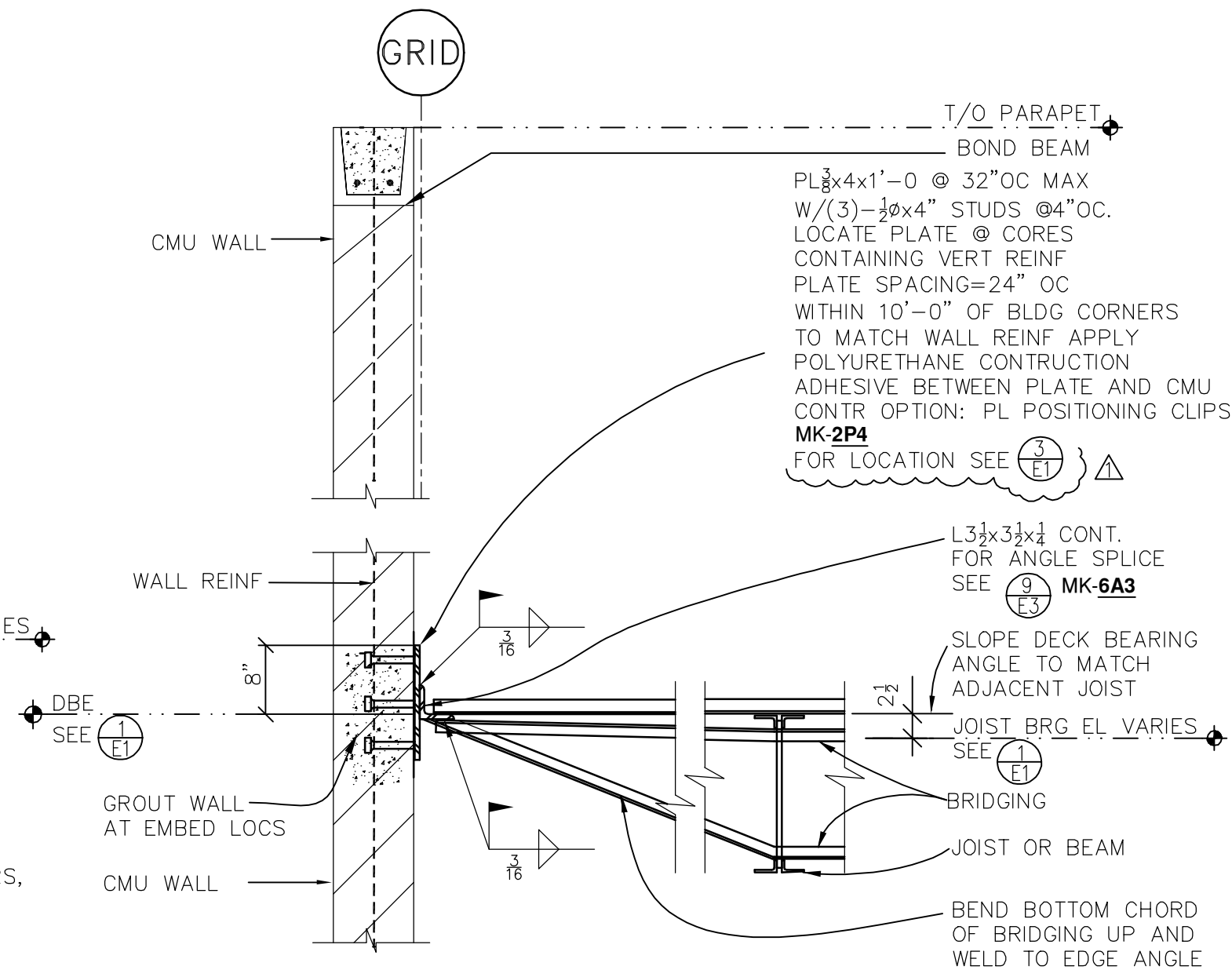
SECTION-5
REF: 24/S501



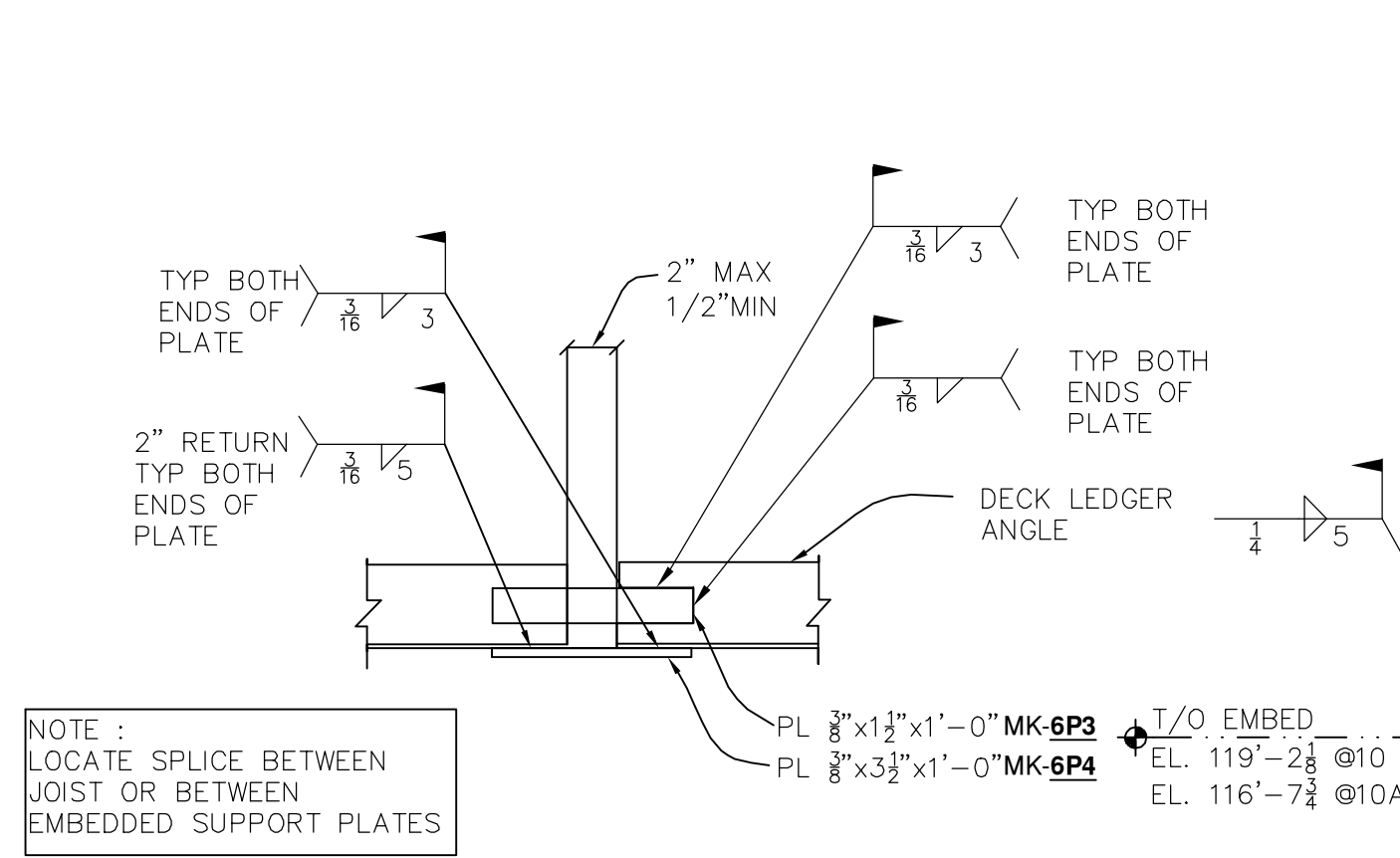
SECTION-6
REF: 22/S521



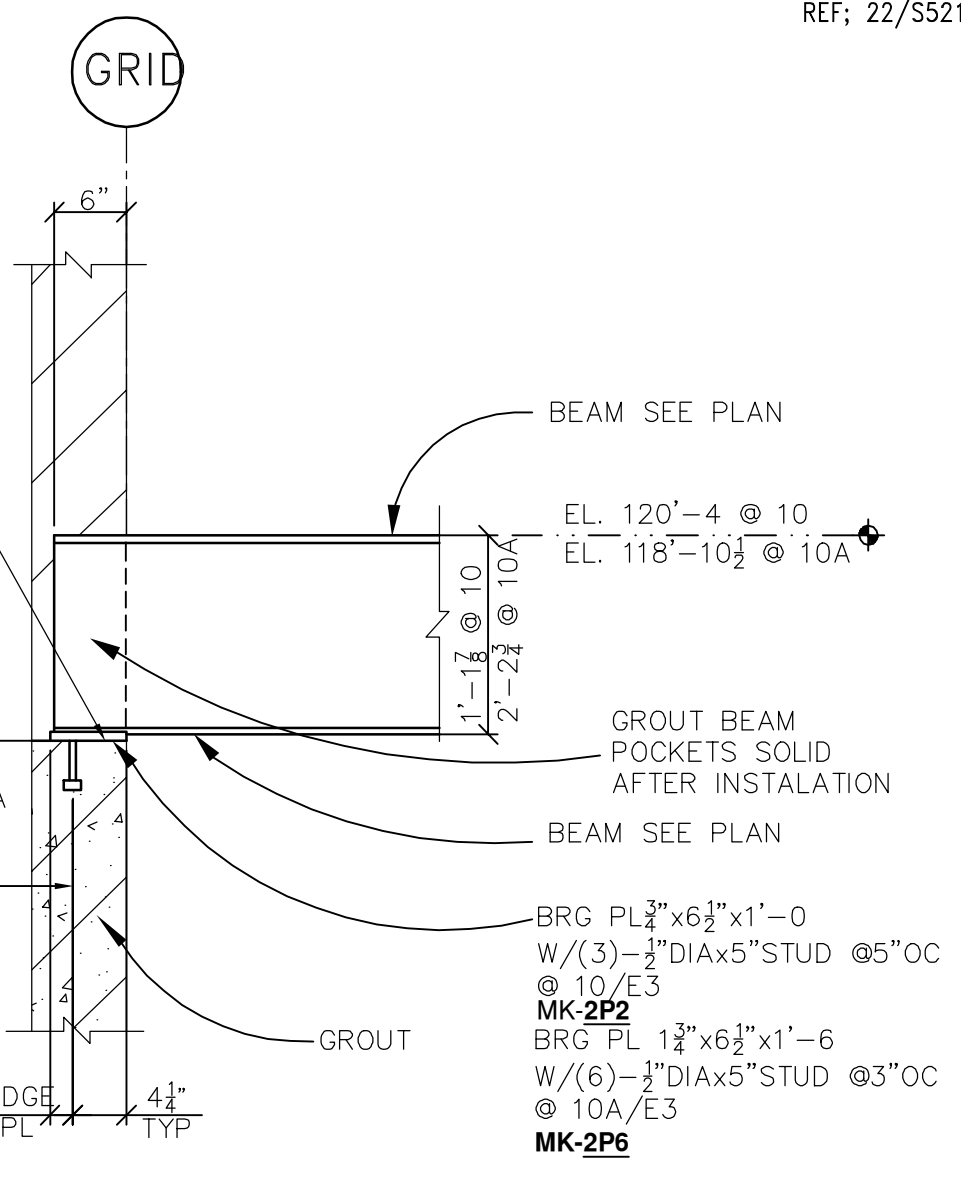
SECTION-7
REF: 6/S521



SECTION-8
REF: 7/S521



SECTION-9
REF: 21/S521



SECTION-10,10A
REF: 8/S521

NOTE: LOCATE SPLICE BETWEEN JOIST OR BETWEEN EMBEDDED SUPPORT PLATES