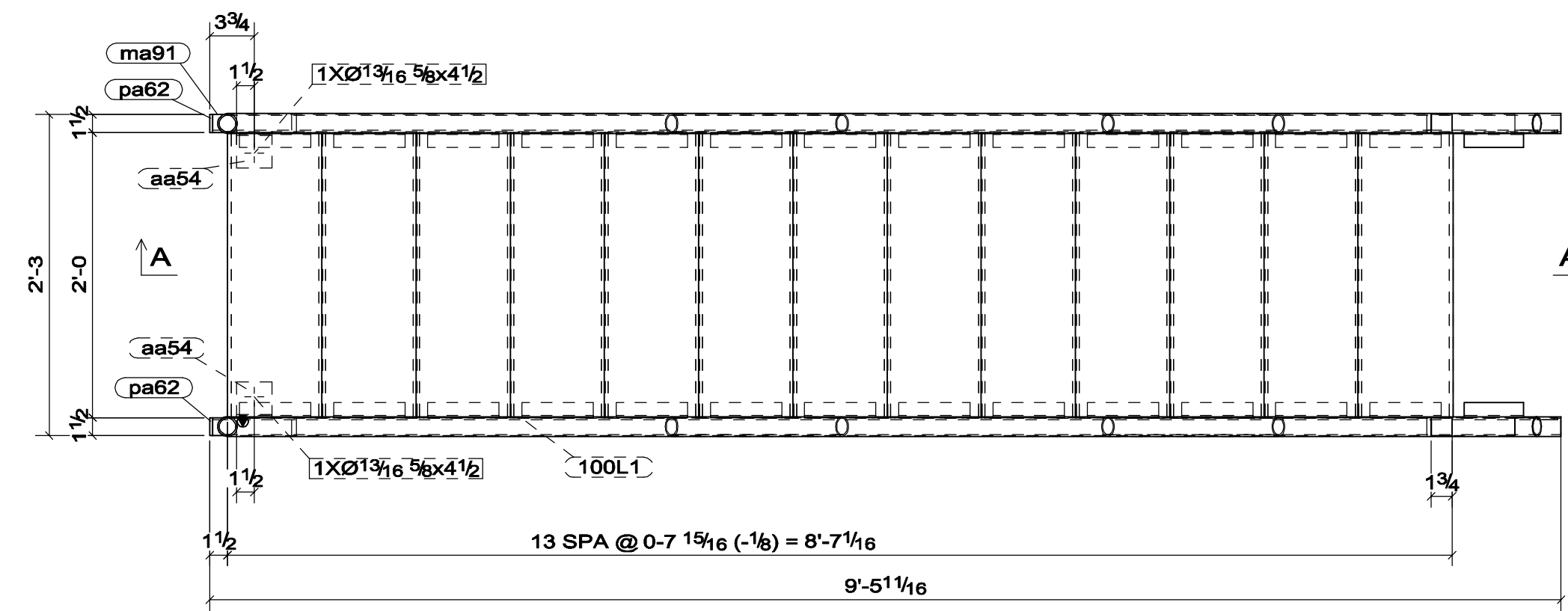
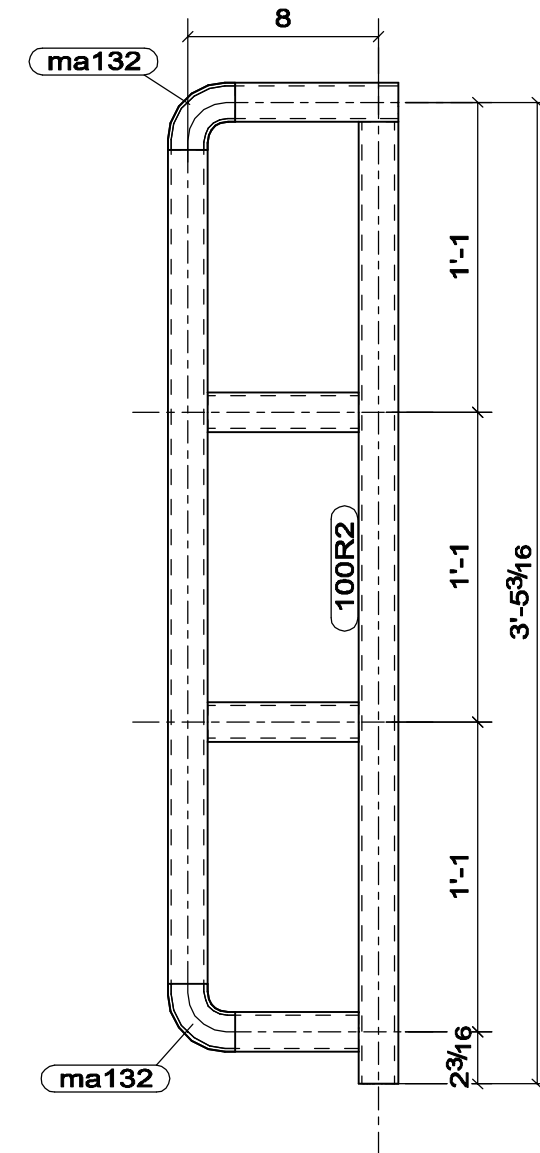
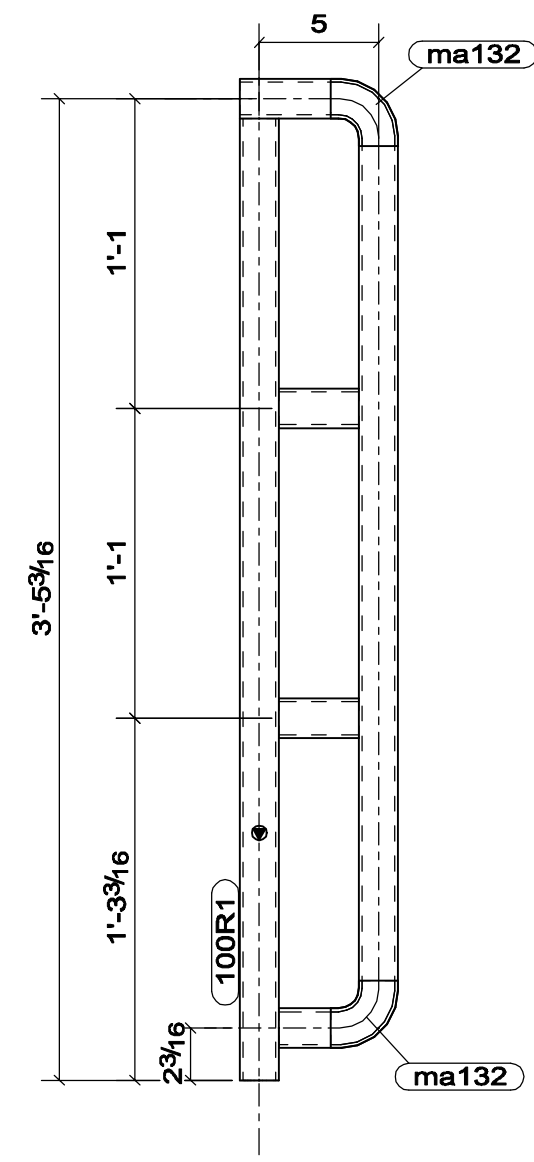


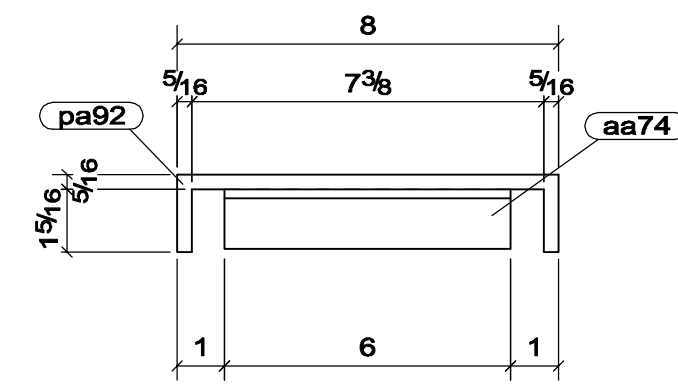
### BILL OF MATERIAL

SHP MARK	PIECE MARK	QTY.	DESCRIPTION	LENGTH	REMARKS	REF
100L1		1	MC12X10.6	14'-4 15/16"		18A32, 2E12
	aa54	2	L3X3X1/2	0'-3"		
	aa74	26	L1-1/4X1-1/4X3/16	0'-6"		
	aa75	2	L1-1/4X1-1/4X3/16	0'-5"		
	ma37	3	1-1/4"Ø STD PIPE	21'-0"	APPROX	
	ma91	1	MC12X10.6	14'-4 15/16"		
	pa62	2	PL1/4X1 1/2	0'-10"		
	pa63	2	PL1/4X1 1/2	0'-1 3/4"		
	pa92	13	BT CHK PL5/16X10	2'-0"	CHECKERED PLATE	
		2	5/8" Ø. WA	4 1/2"	Site Bolt	
100P3		1	BT CHK PL1/4X68 7/8	8'-0 3/8"	CHECKERED PLATE (PM)	18A32, 2E12
100R1		1	1-1/4"Ø STD PIPE	21'-0"	APPROX	18A32, 2E12
	ma132	2	ELBOW 1-1/4"Ø STD PIPE			
100R2		1	1-1/4"Ø STD PIPE	21'-0"	APPROX	18A32, 2E12
	ma132	2	ELBOW 1-1/4"Ø STD PIPE			

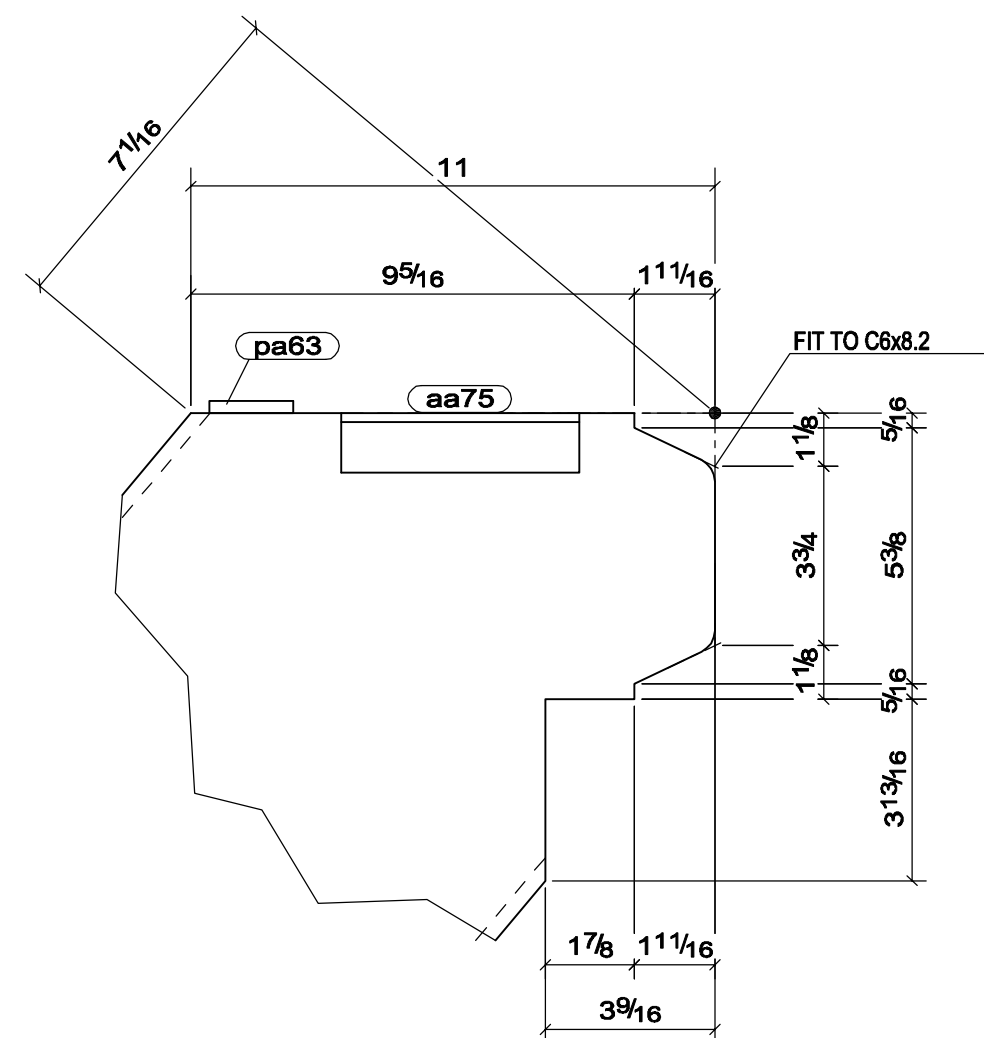


100R1 - 1-1/4"Ø STD PIPE 1 REQ'D

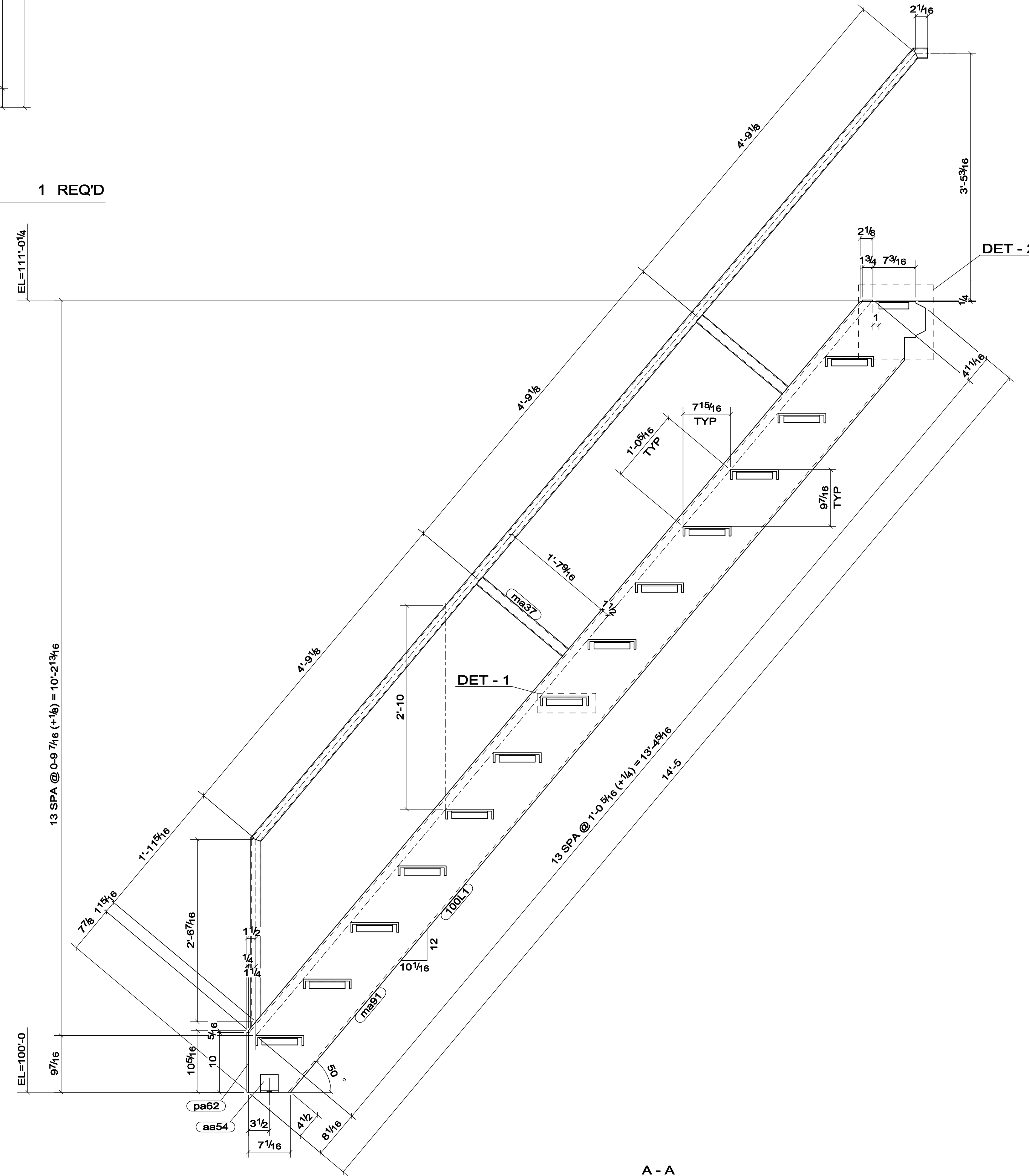
100R2 - 1-1/4"Ø STD PIPE 1 REQ'D



DETAIL - 1



DETAIL - 2



A - A

100L1 - MC12X10.6 - 14'-4 15/16" 1 REQ'D