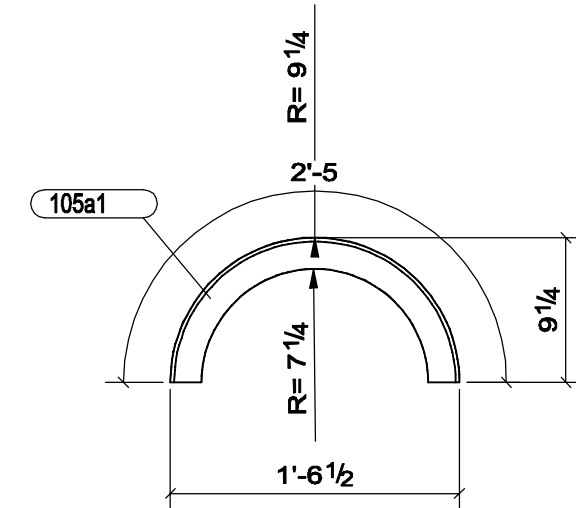
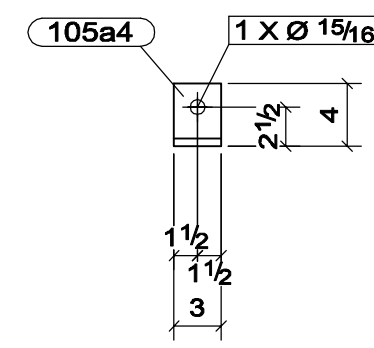


WRK	QTY	IN ASSY
105a1	2	100A1
105a2	8	102B1
105a3	4	104L1
105a4	8	104L1
105m1	10	104L1
105p1	2	104L1

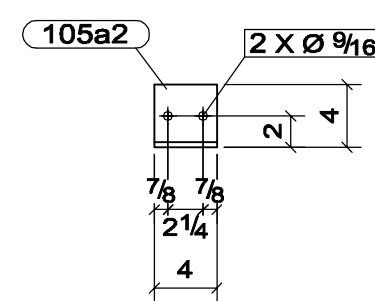
MATERIAL LIST FOR WORKSHOP				
Mark	Qty.	Size	Length	Remarks
105a1	2	L2X2X1/4	2'-5"	
105a2	8	L4X3-1/2X5/16	0'-4"	
105a3	4	L4X4X3/8	0'-2 1/2"	
105a4	8	L8X4X1/2	0'-3"	
105m1	10	Ø 3/4" ROD	1'-6 1/2"	
105p1	2	PL3/8X2 1/2	6'-6"	



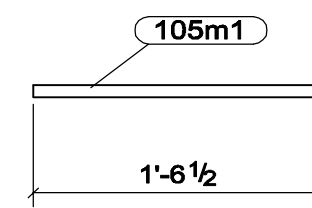
105a1 - L2X2X1/4 - 2'-5" 2 REQ'D



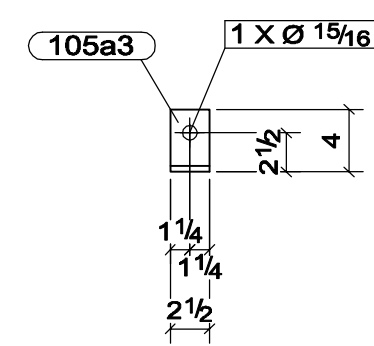
105a4 - L8X4X1/2 - 0'-3" 8 REQ'D



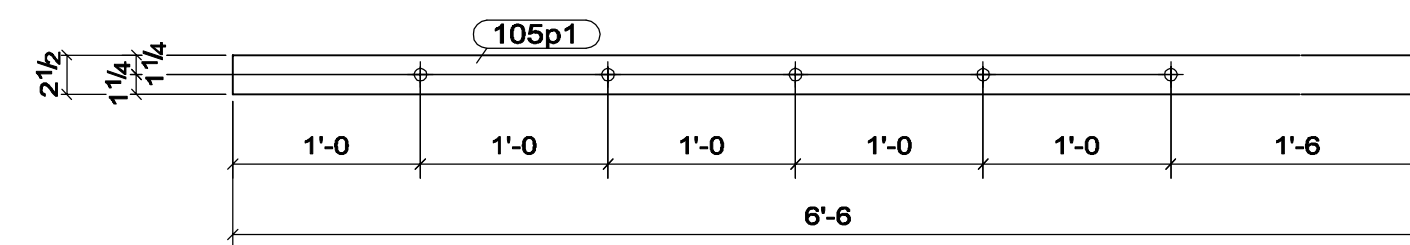
105a2 - L4X3-1/2X5/16 - 0'-4" 8 REQ'D



105m1 - Ø 3/4" ROD - 1'-6 1/2" 10 REQ'D



105a3 - L4X4X3/8 - 0'-2 1/2" 4 REQ'D



105p1 - PL3/8X2 1/2 - 6'-6" 2 REQ'D