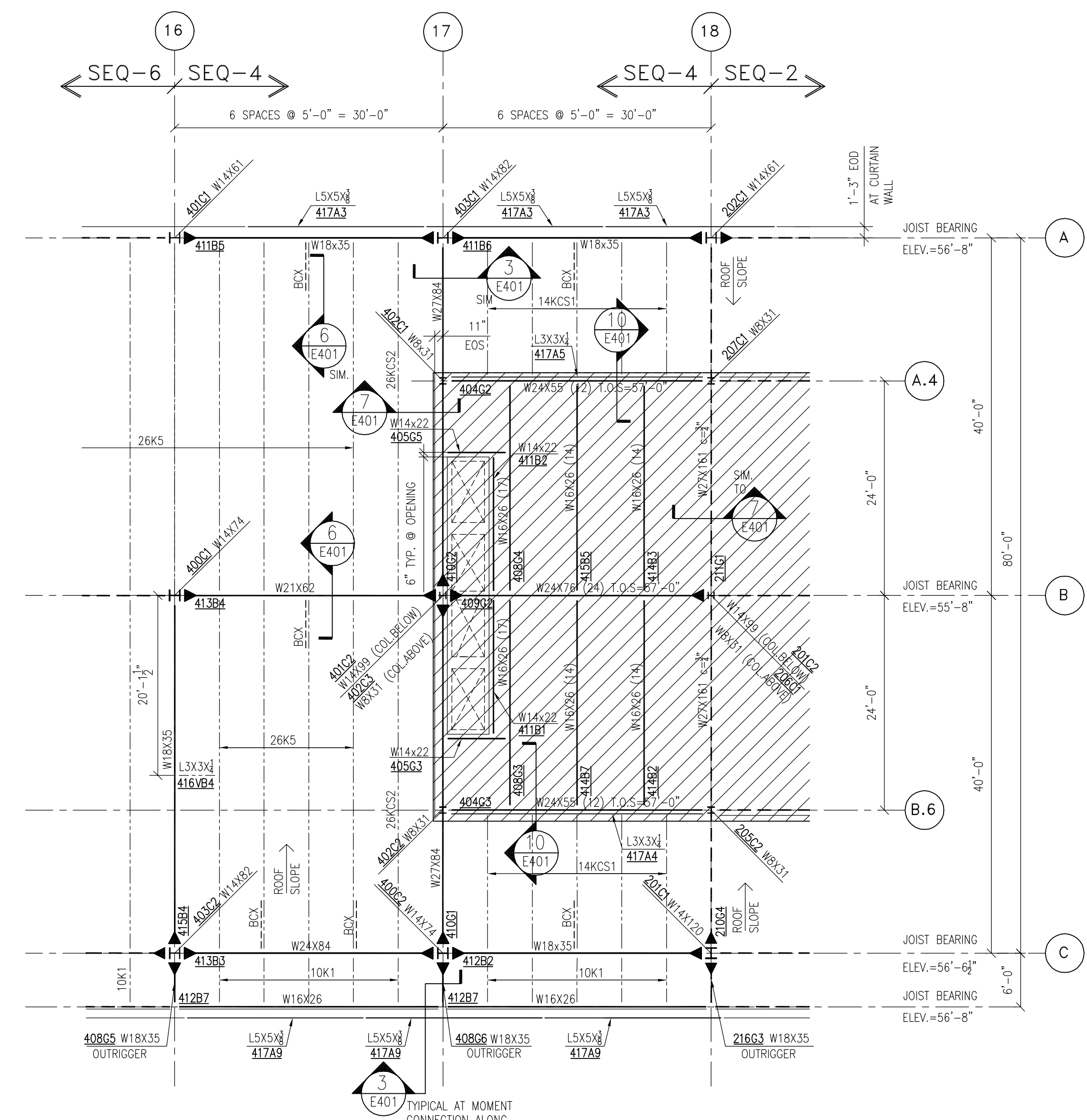


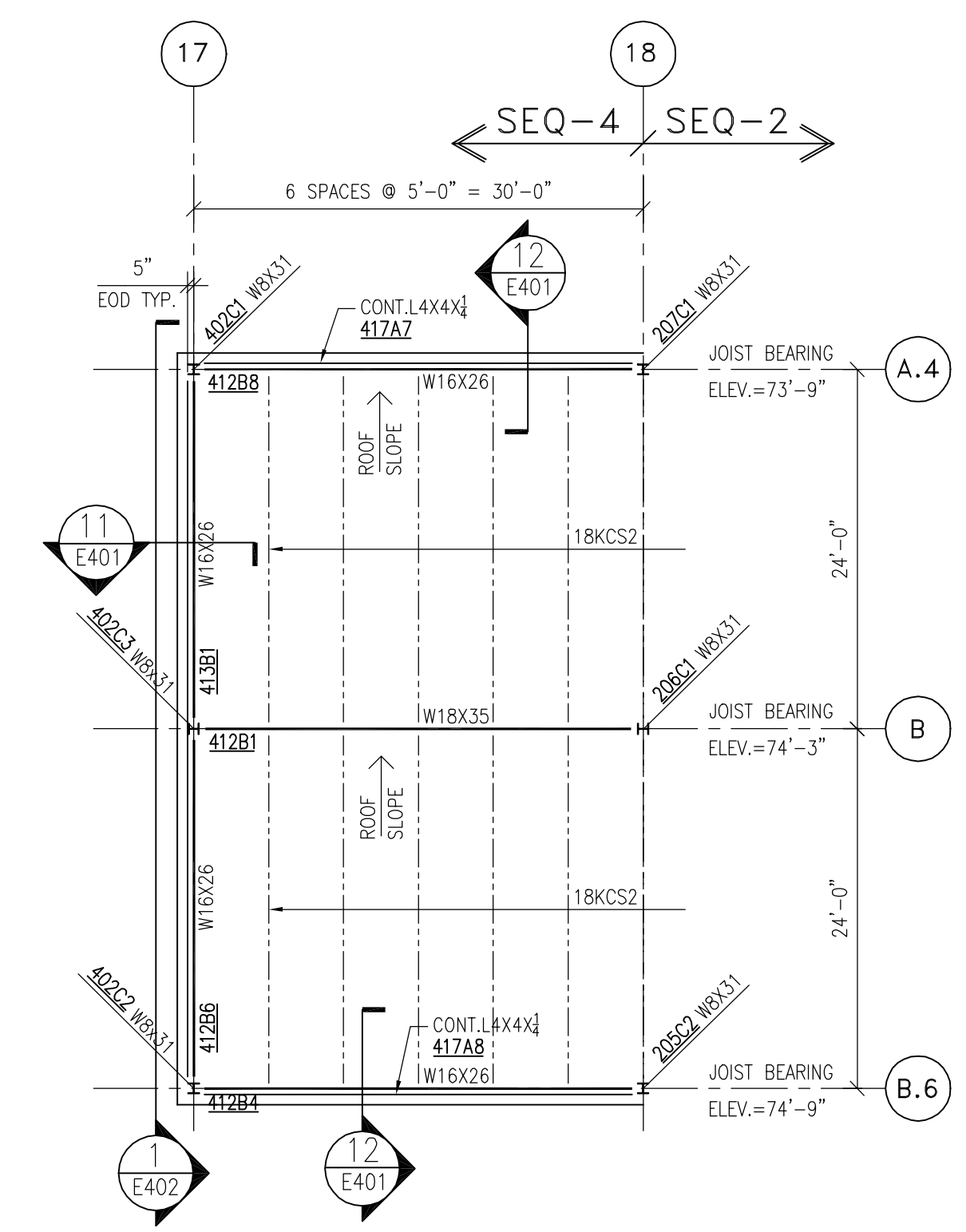
**FOURTH FLOOR FRAMING PLAN** 1  
E400

- REF: 1/S.205
- NOTES:
- BEAM CALLOUT LEGEND:
    - BEAM SIZE
    - BEAM CAMBER
    - NUMBER OF UNIFORMLY SPACED SHEAR STUDS, 3"x4" (AFTER WELDING).
  - FINISHED FLOOR ELEVATION = +42'-0"
  - TOP OF BEAM ELEVATION = +41'-6 1/2"
  - INDICATES MOMENT CONNECTION. SEE SHEET S.702. FLANGE STIFFENERS REQUIRED UNLESS NOT OTHERWISE.
  - E.O.S - INDICATES EDGE OF SLAB



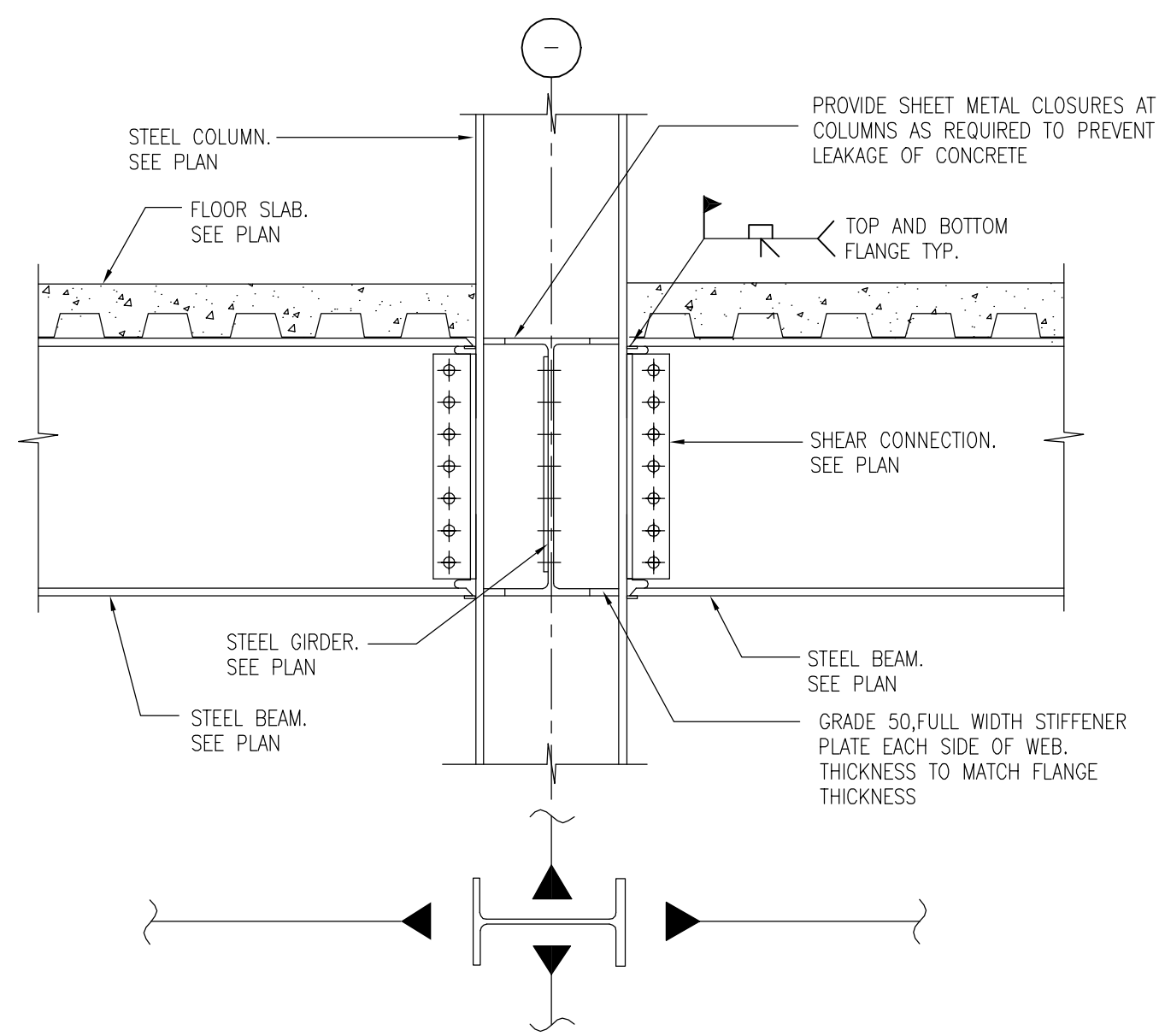
**ROOF FRAMING PLAN** 2  
E400

- REF: 1/S.207
- NOTES:
- INDICATES 5 1/2" LIGHTWEIGHT CONCRETE FLOOR SLAB OF MECHANICAL ROOM PENTHOUSE; 3" Z0 GAGE GALVANIZED COMPOSITE DECK WITH 2 1/2" LIGHTWEIGHT CONCRETE TOPPING. TOP OF SLAB ELEVATION = 57'-5 1/2"
  - BEAM CALLOUT LEGEND:
    - BEAM SIZE
    - BEAM CAMBER
    - NUMBER OF UNIFORMLY SPACED SHEAR STUDS, 3"x4" (AFTER WELDING).
  - E.O.D - INDICATES EDGE OF DECK
  - BCX... - SEE 6/E401



**PENTHOUSE ROOF FRAMING PLAN** 3  
E400

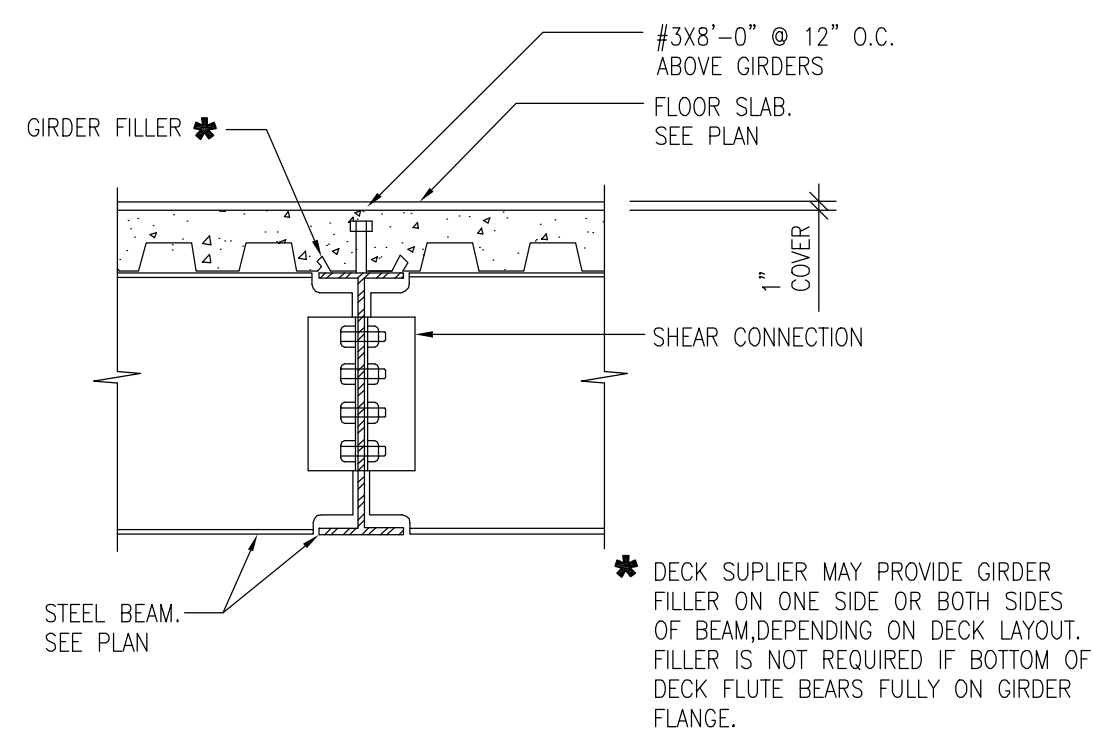
- REF: 2/S2.09
- NOTES:
- E.O.D - INDICATES EDGE OF DECK



MOMENT CONNECTION AT FLOOR

REF: 2/S.702

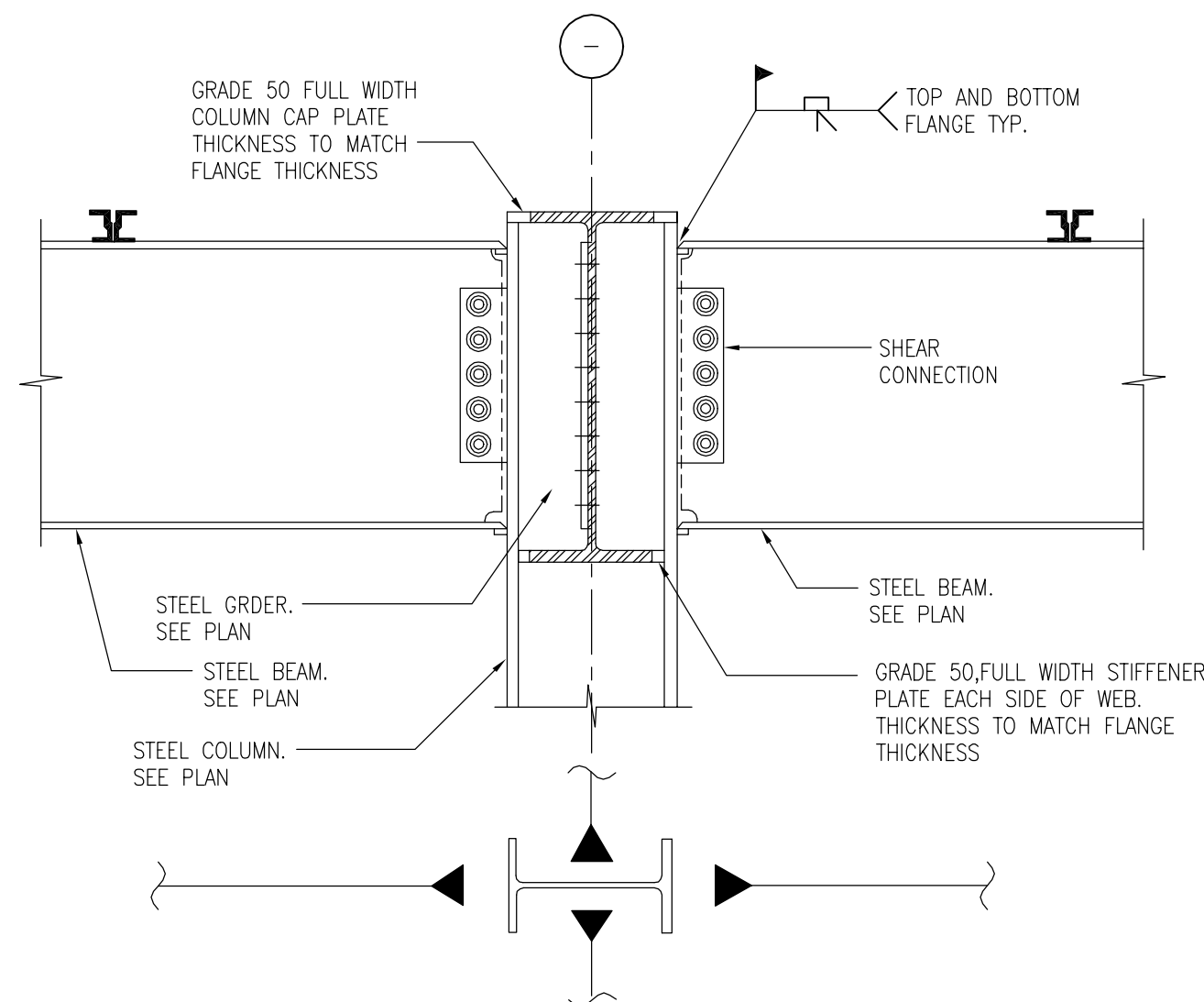
1  
E401



TYPICAL COMPOSITE GIRDER DETAIL

REF: 8/S.702

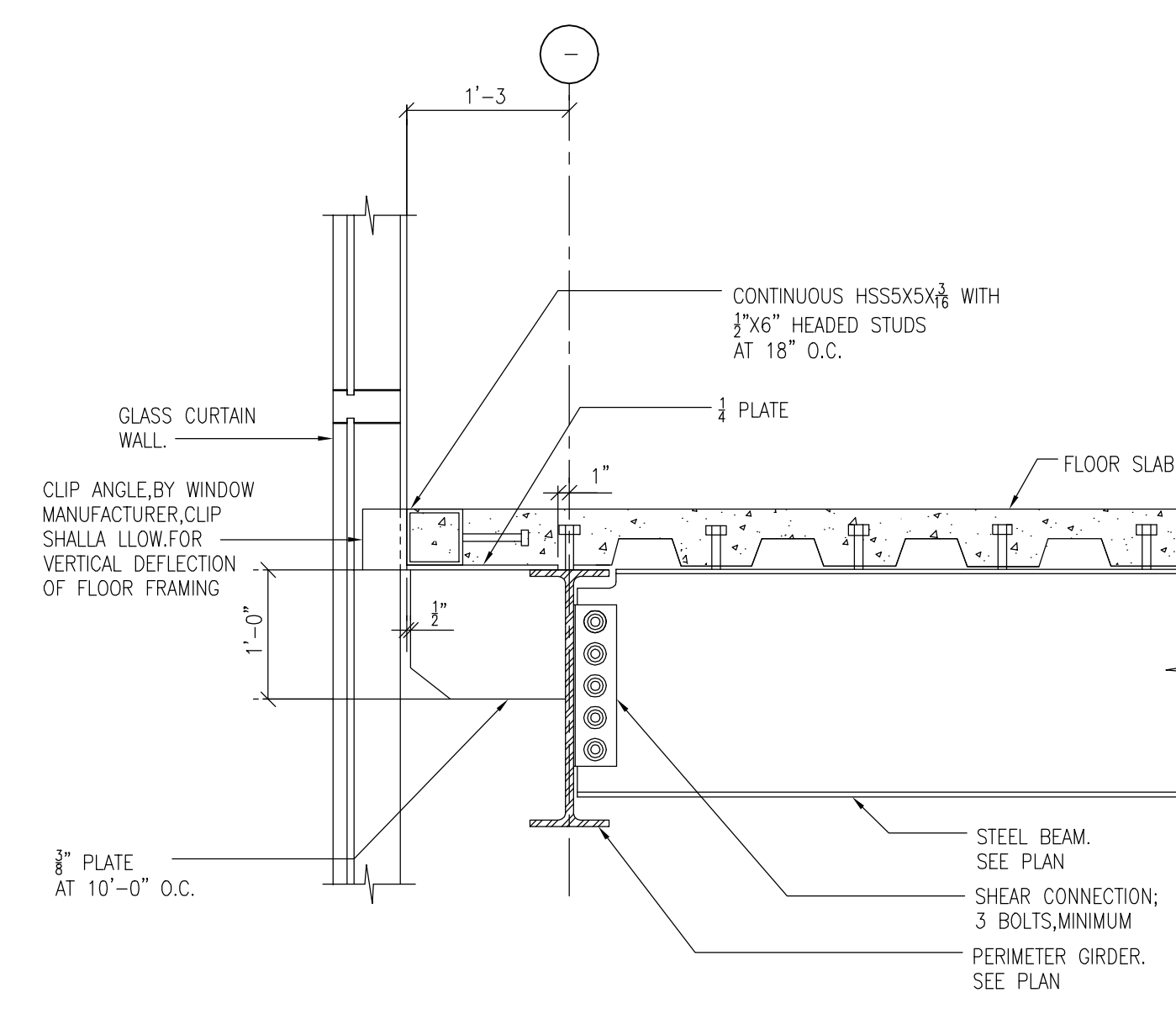
2  
E401



MOMENT CONNECTION AT ROOF

REF: 12/S.702

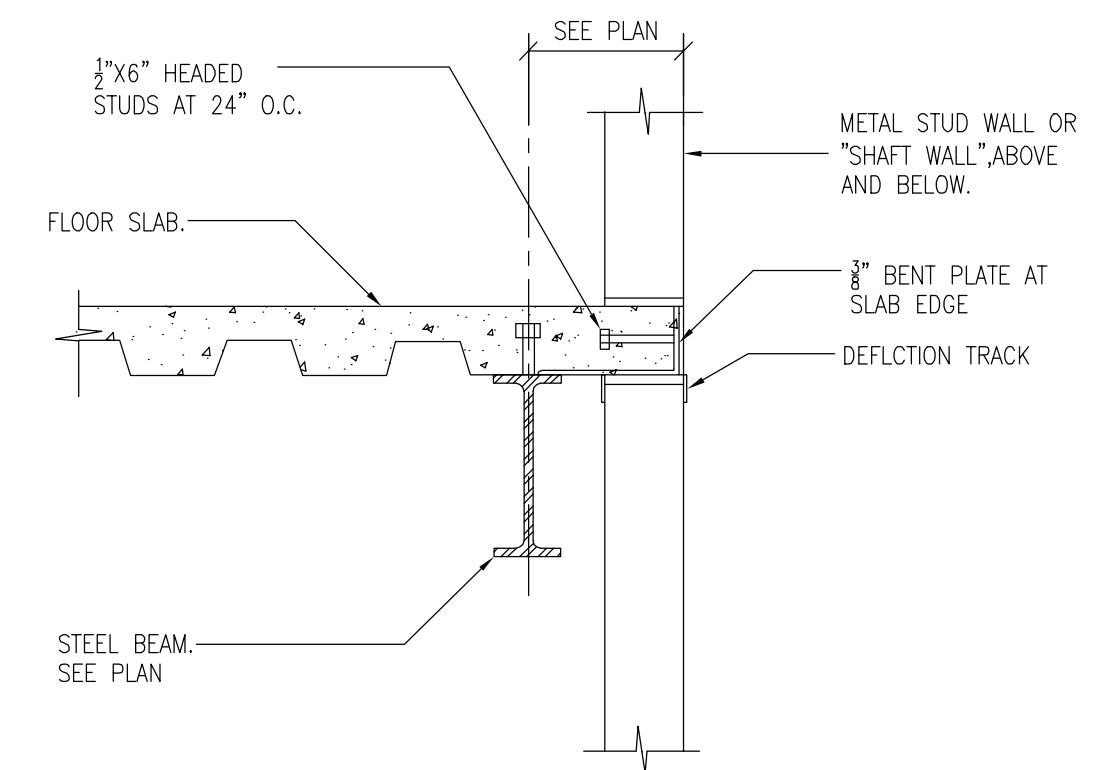
3  
E401



FLOOR SECTION AT CURTAIN WALL-HUNG FROM STRUCTURE

REF: 3/S.703

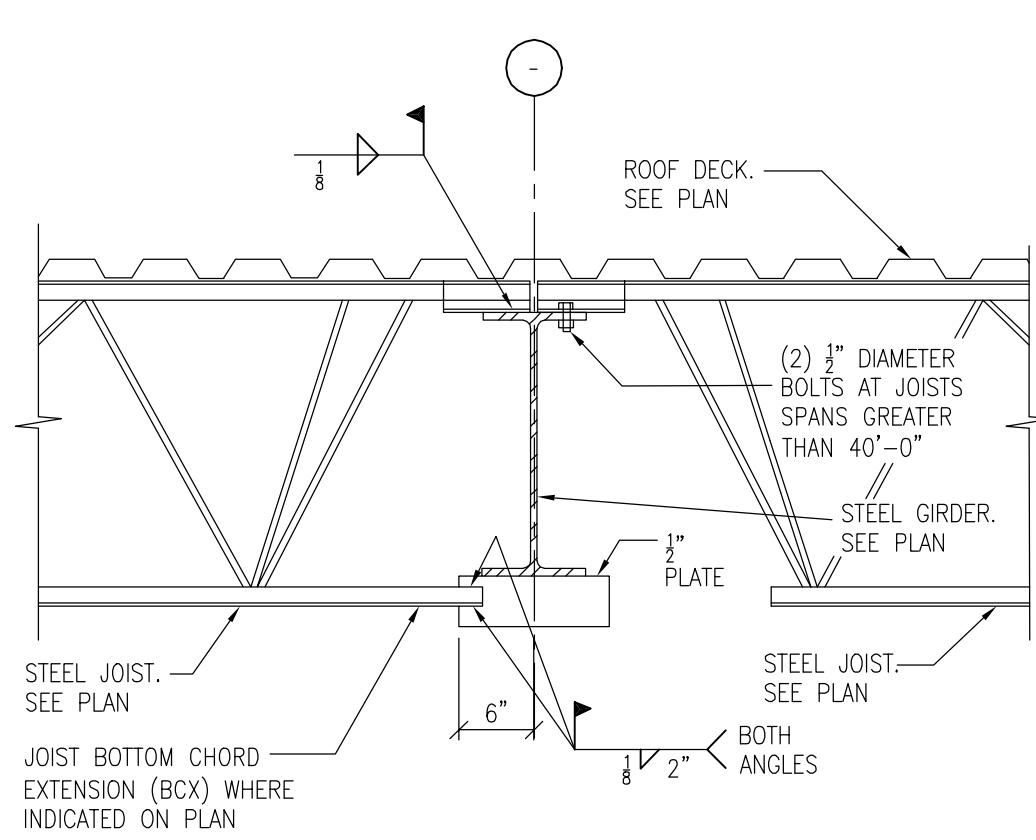
4  
E401



TYPICAL SECTION AT SLAB OPENING

REF: 7/S.703

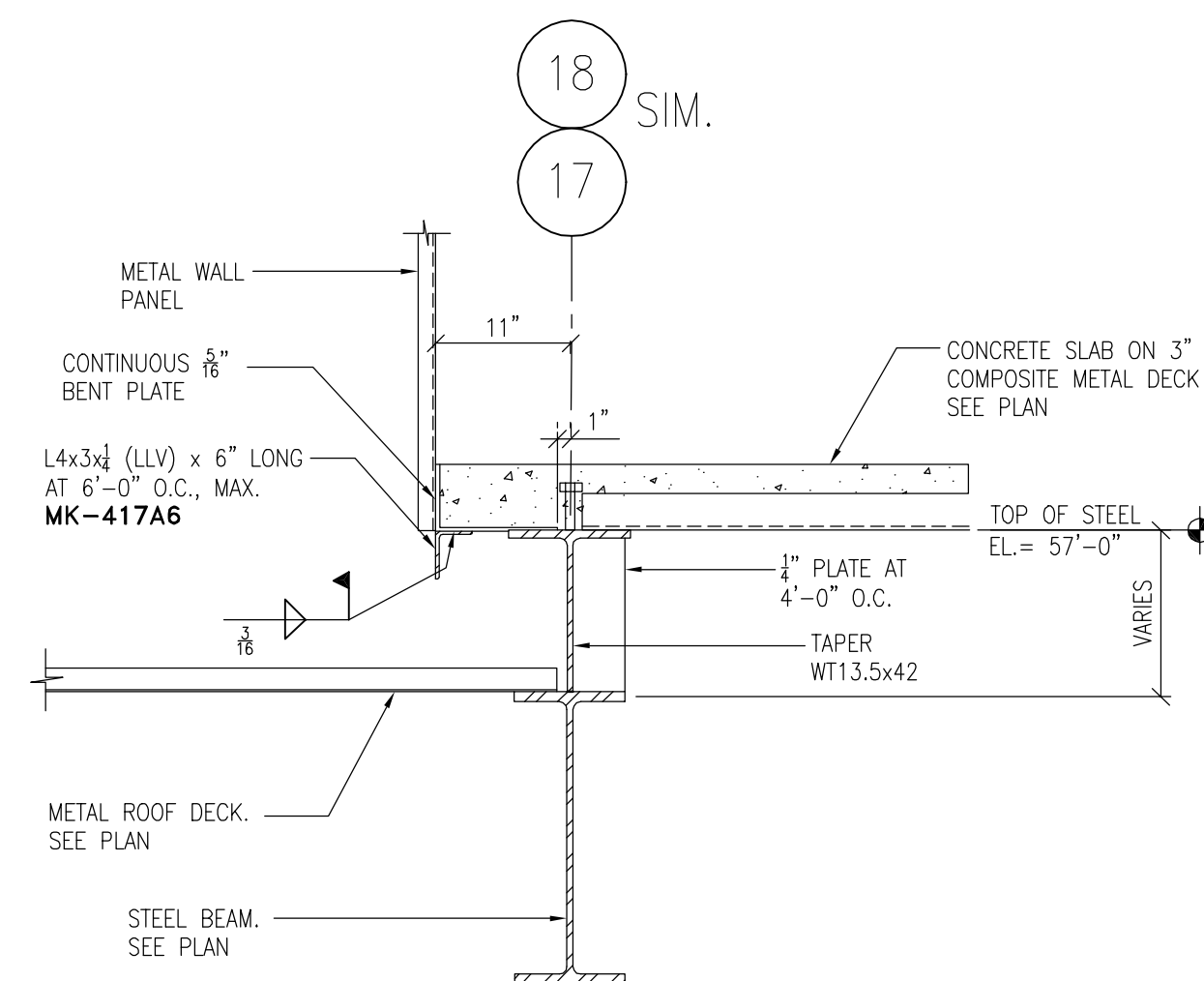
5  
E401



SECTION

REF: 1/S.704

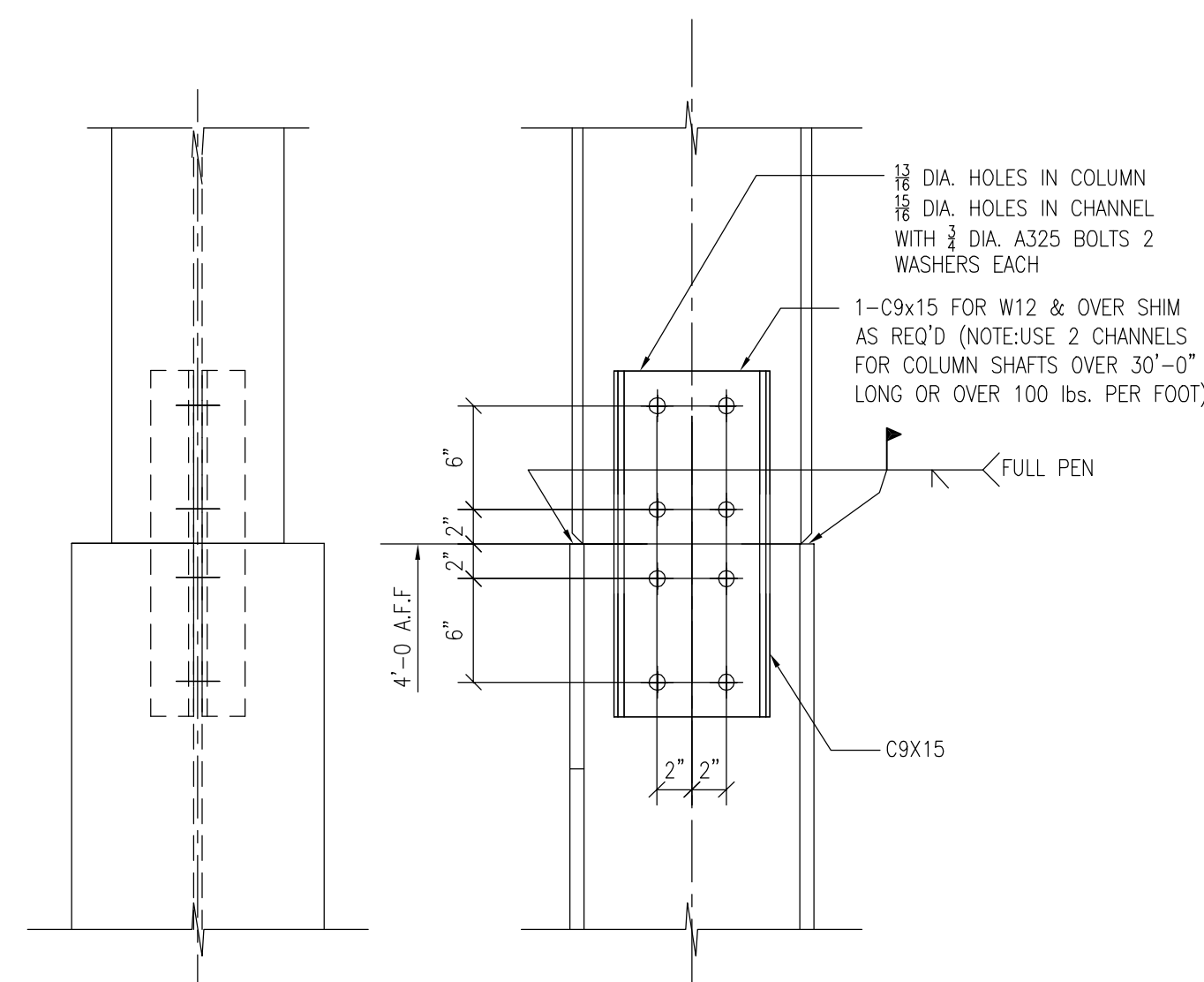
6  
E401



SECTION

REF: 6/S.704

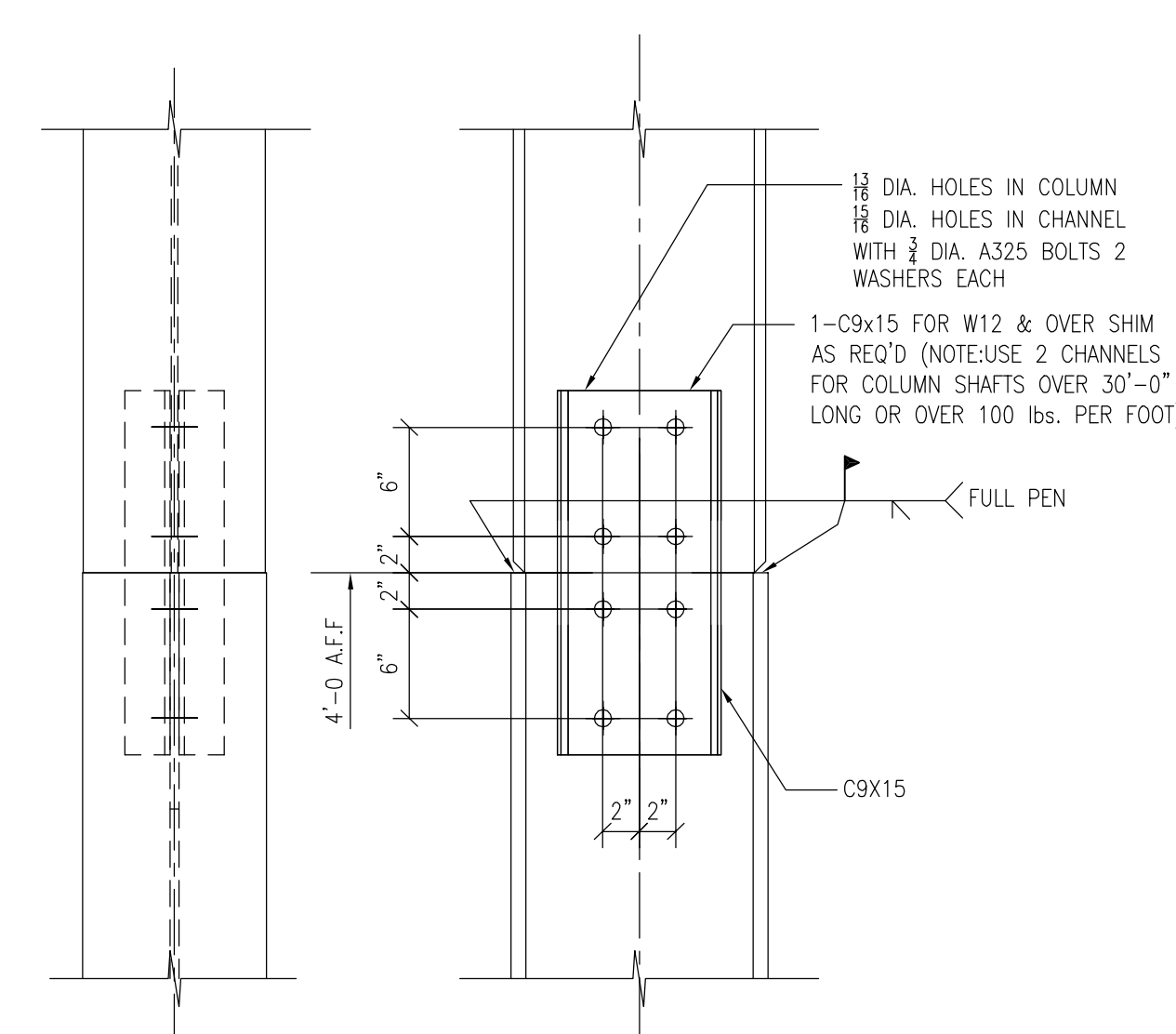
7  
E401



TYP. SPLICE COLUMN DETAIL

REF: -

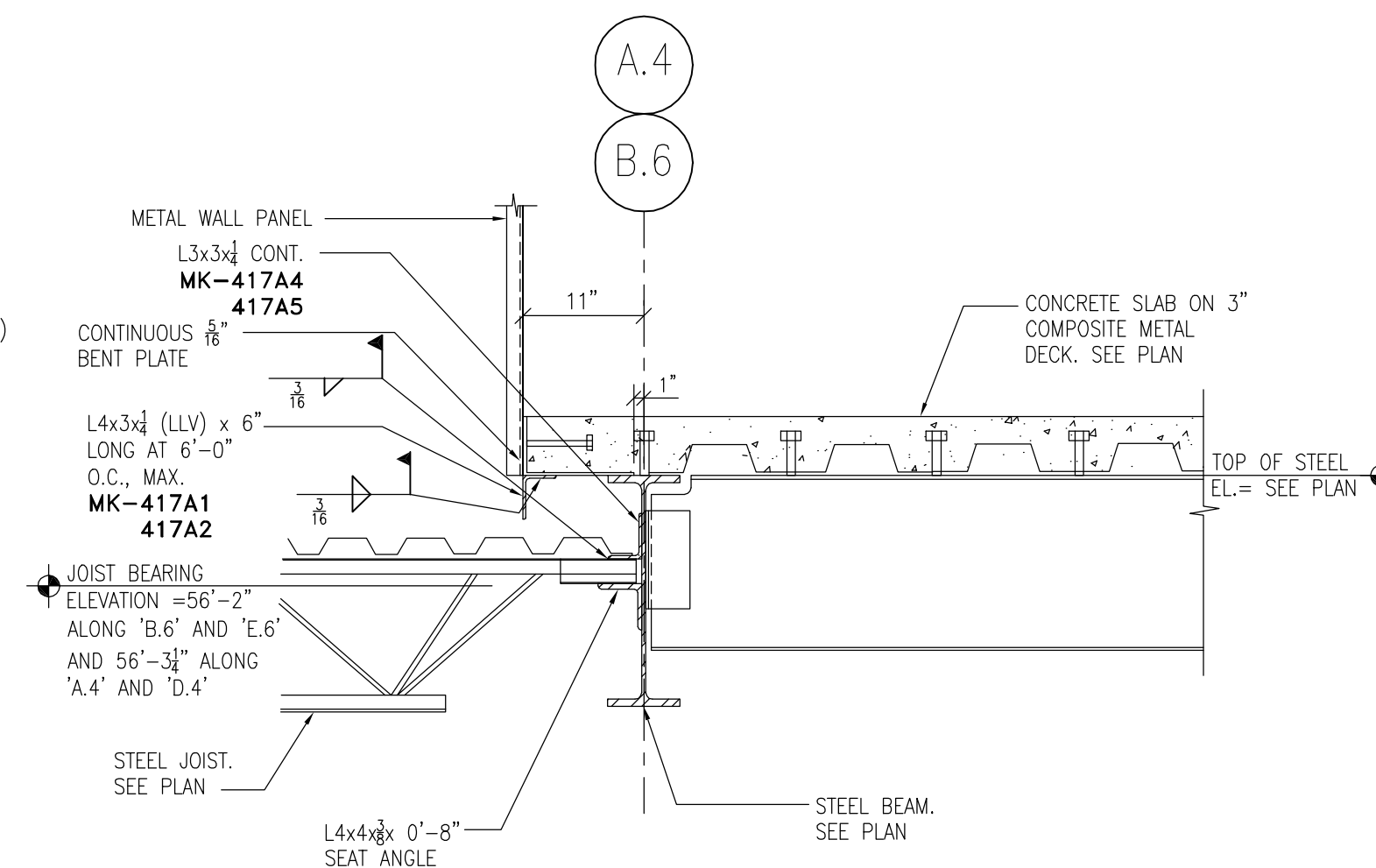
8  
E401



TYP. SPLICE COLUMN DETAIL

REF: -

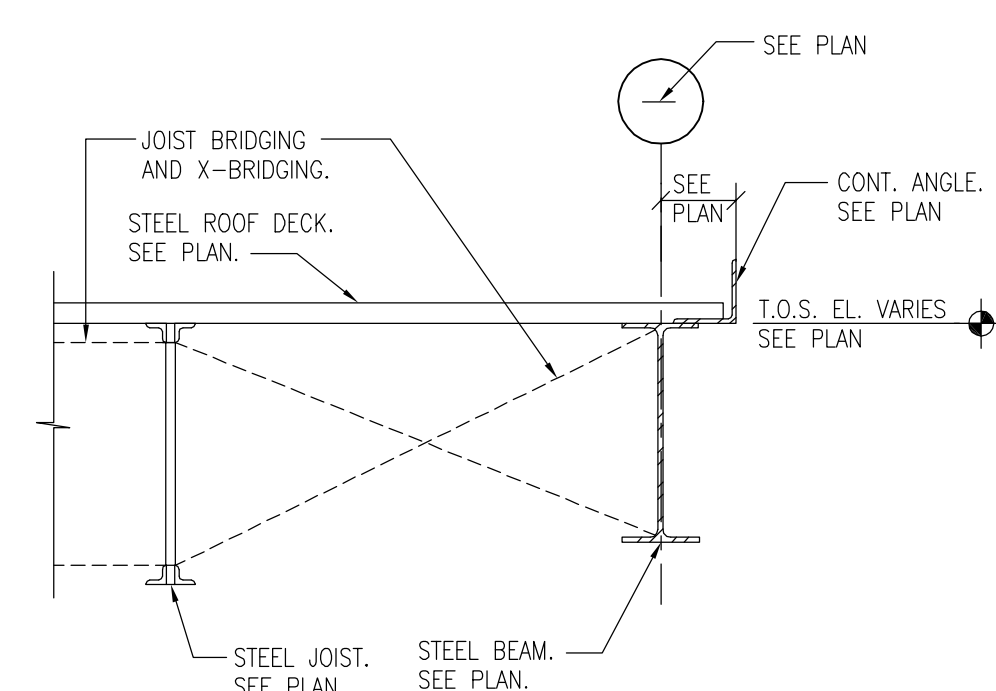
9  
E401



SECTION

REF: 7/S.704

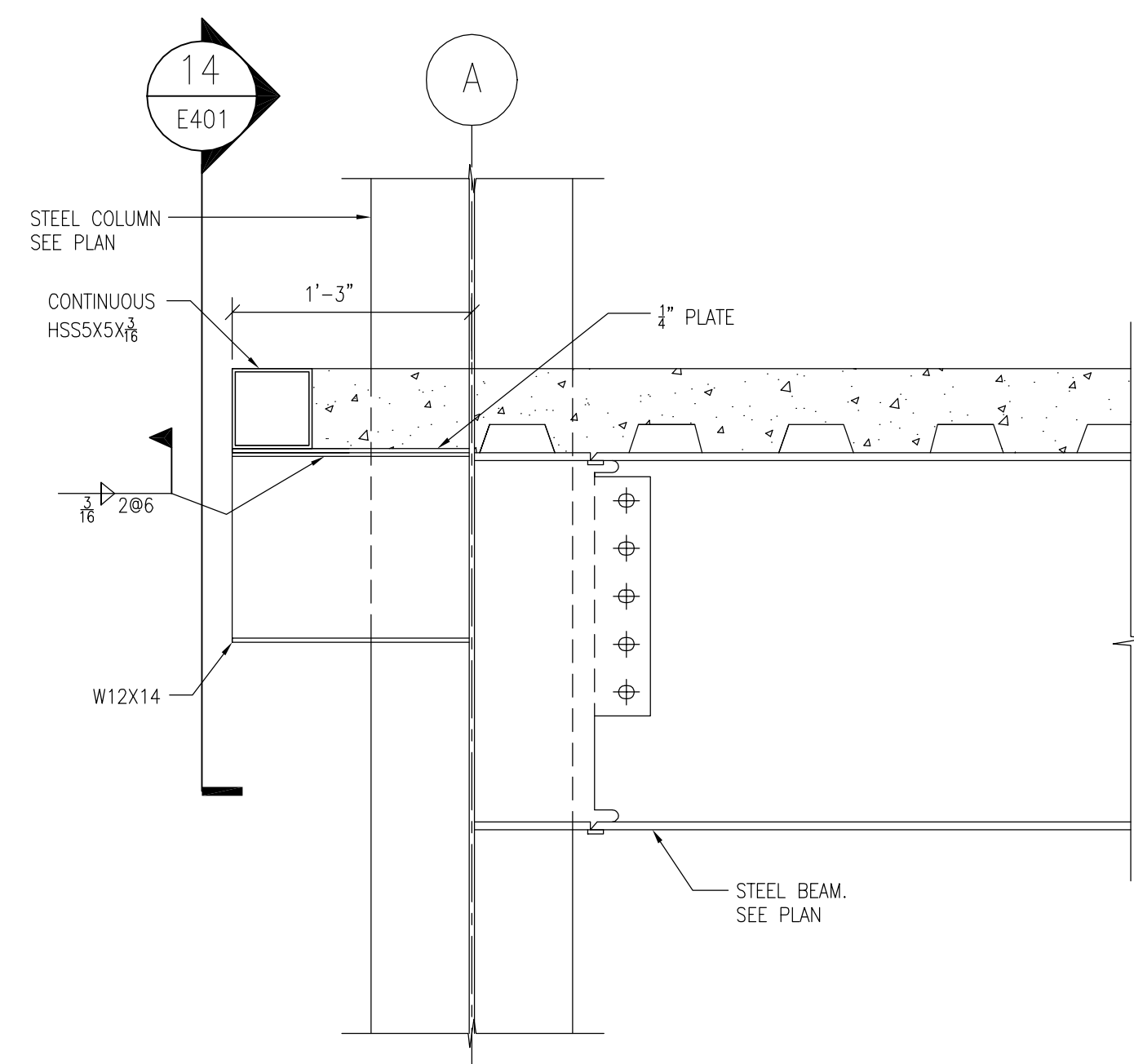
10  
E401



SECTION

REF: 4/S.704

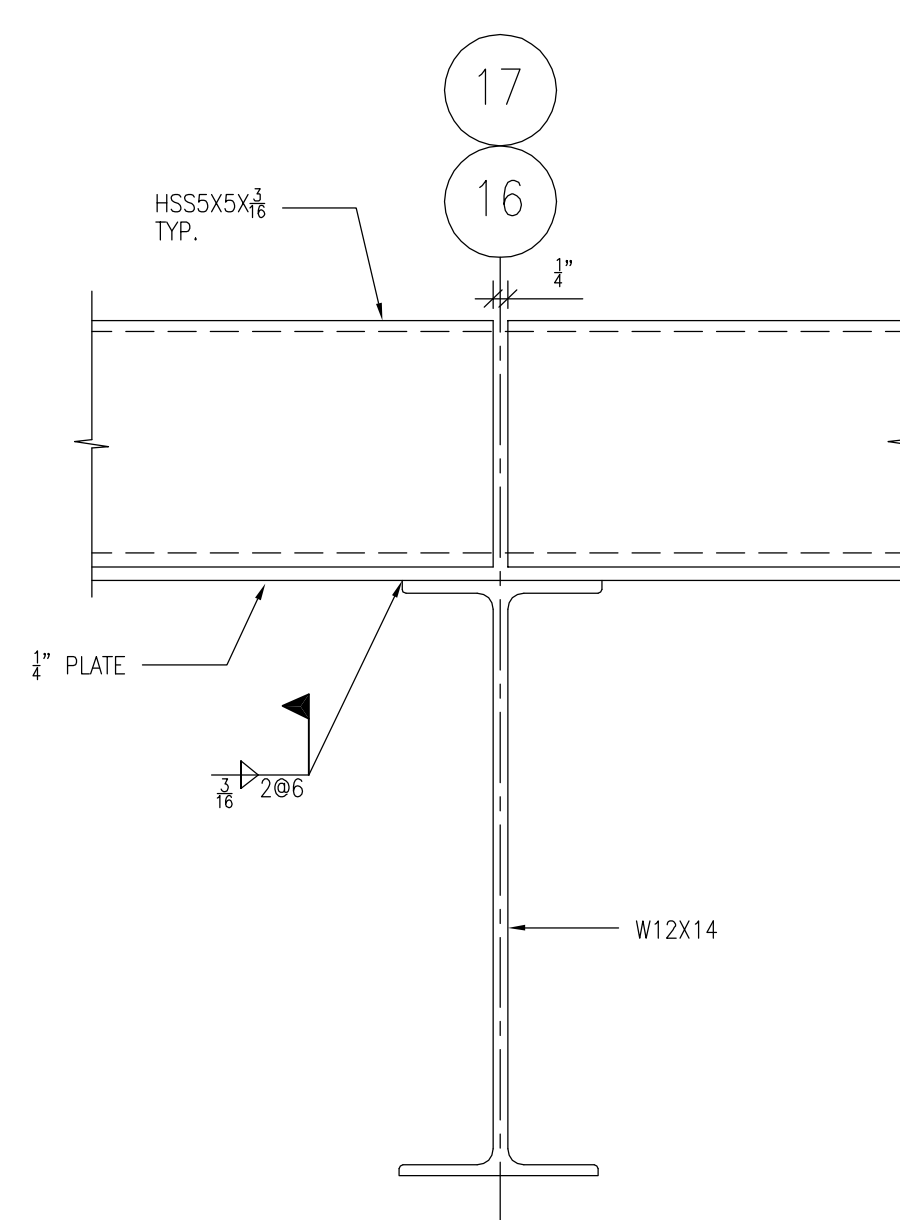
11  
E401



SECTION

REF: 10/S.704

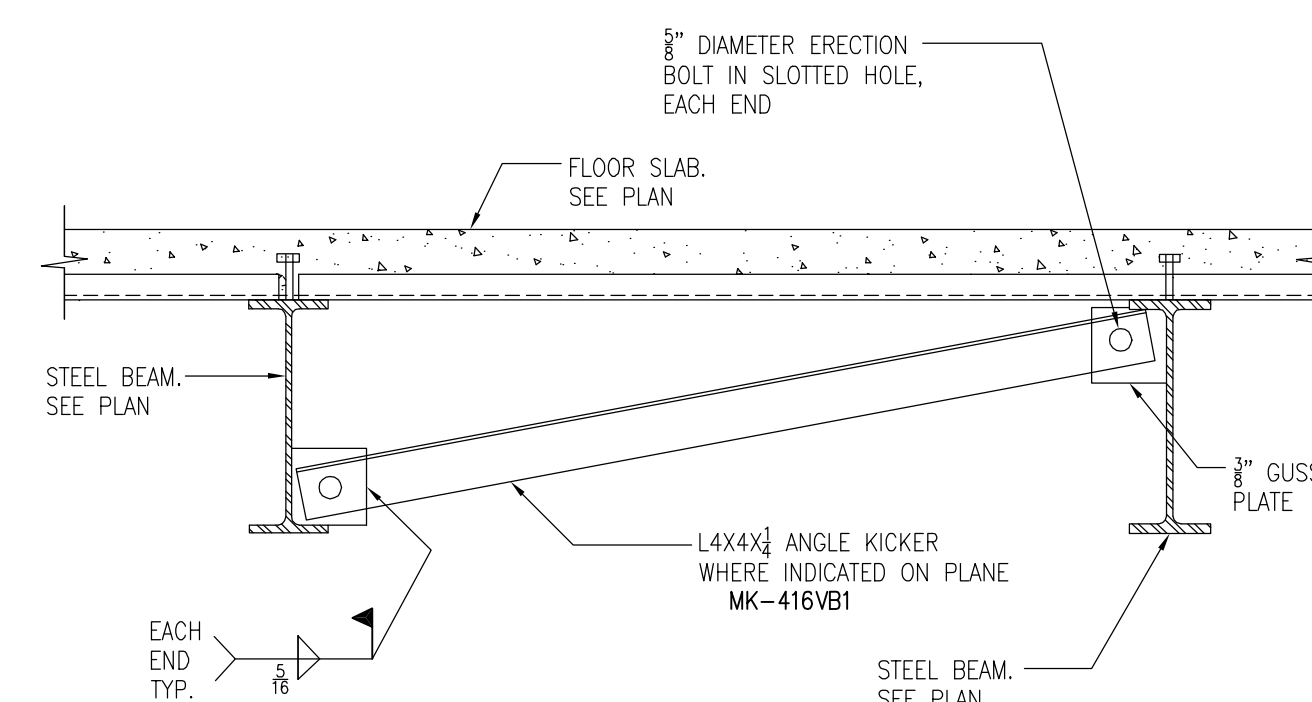
12  
E401



HSS5X5 SPLICE DETAIL

REF: 12/S.704

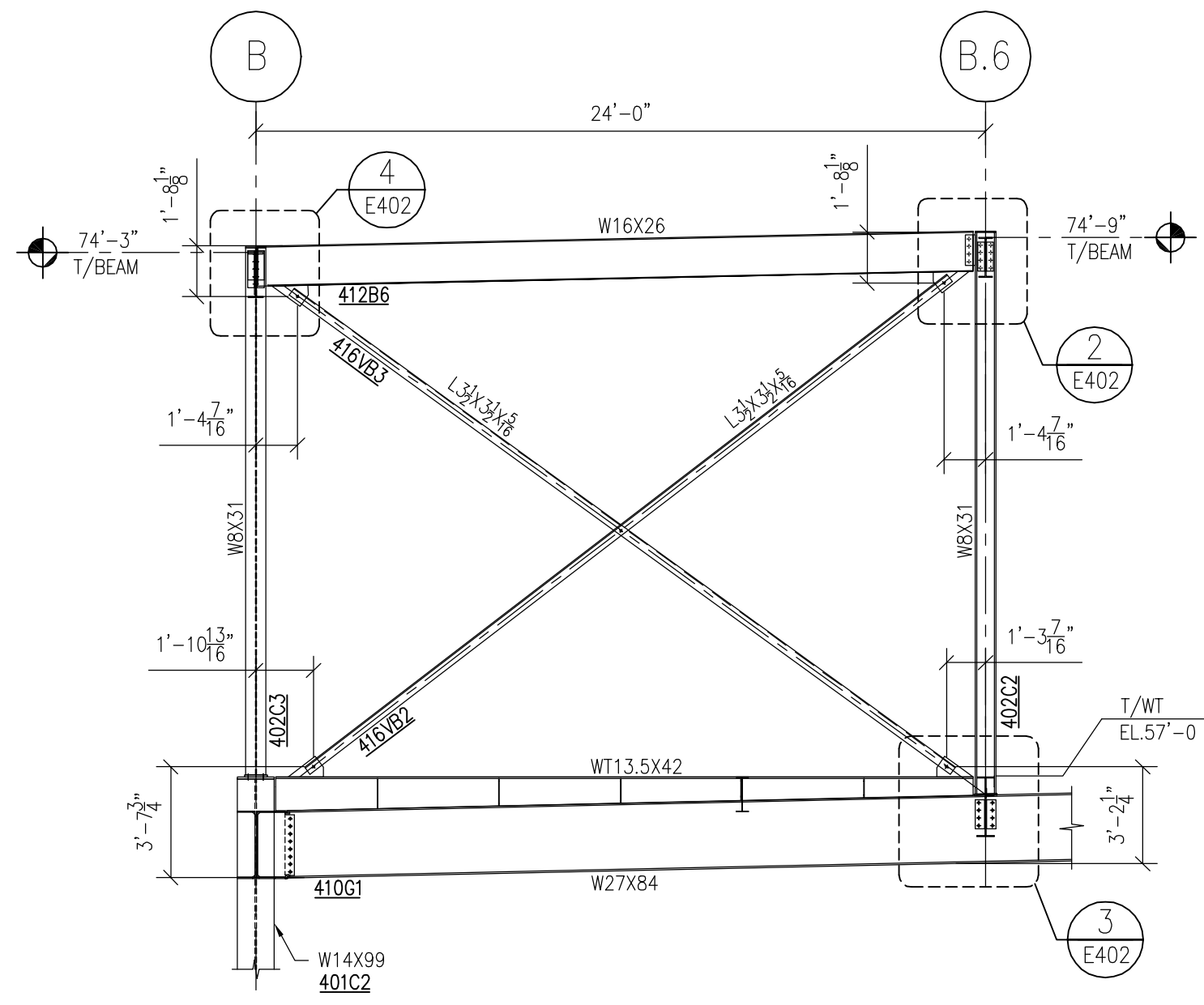
13  
E401



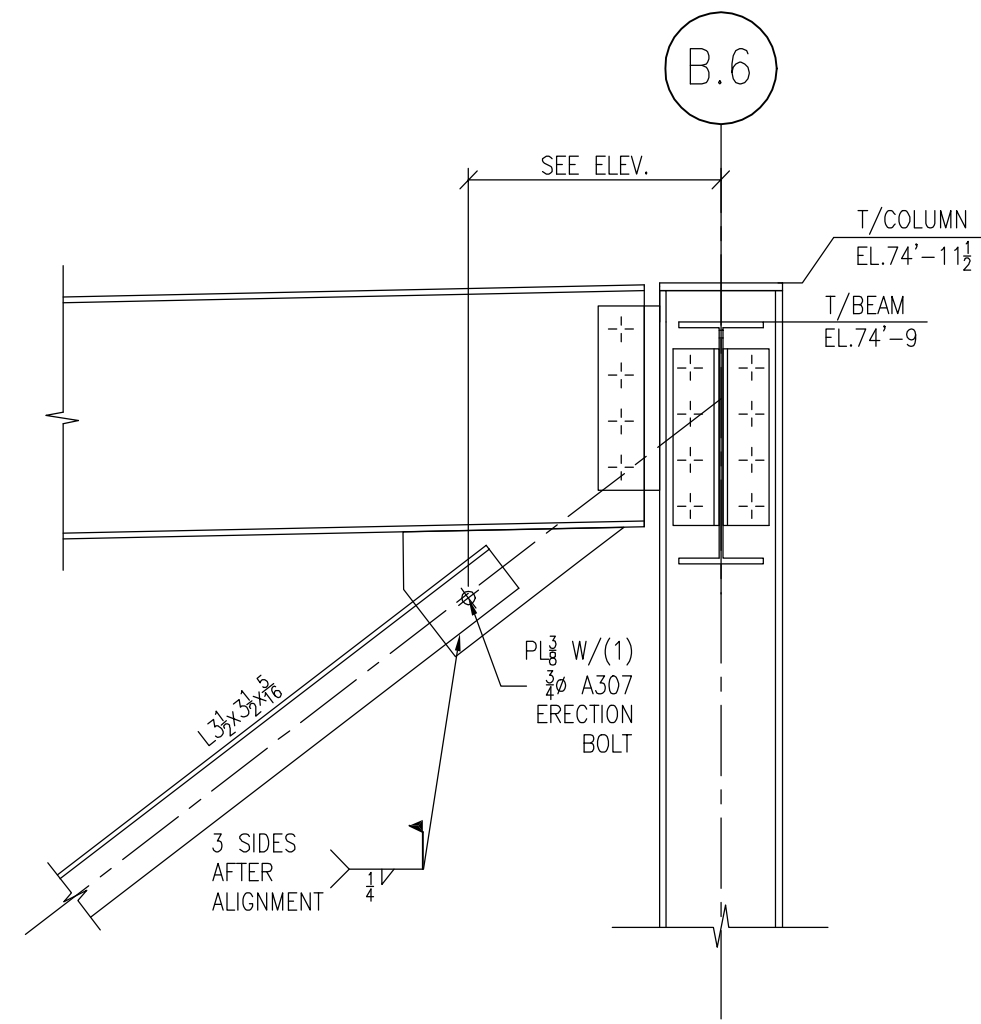
SECTION AT BRACE

REF: 10/S.703

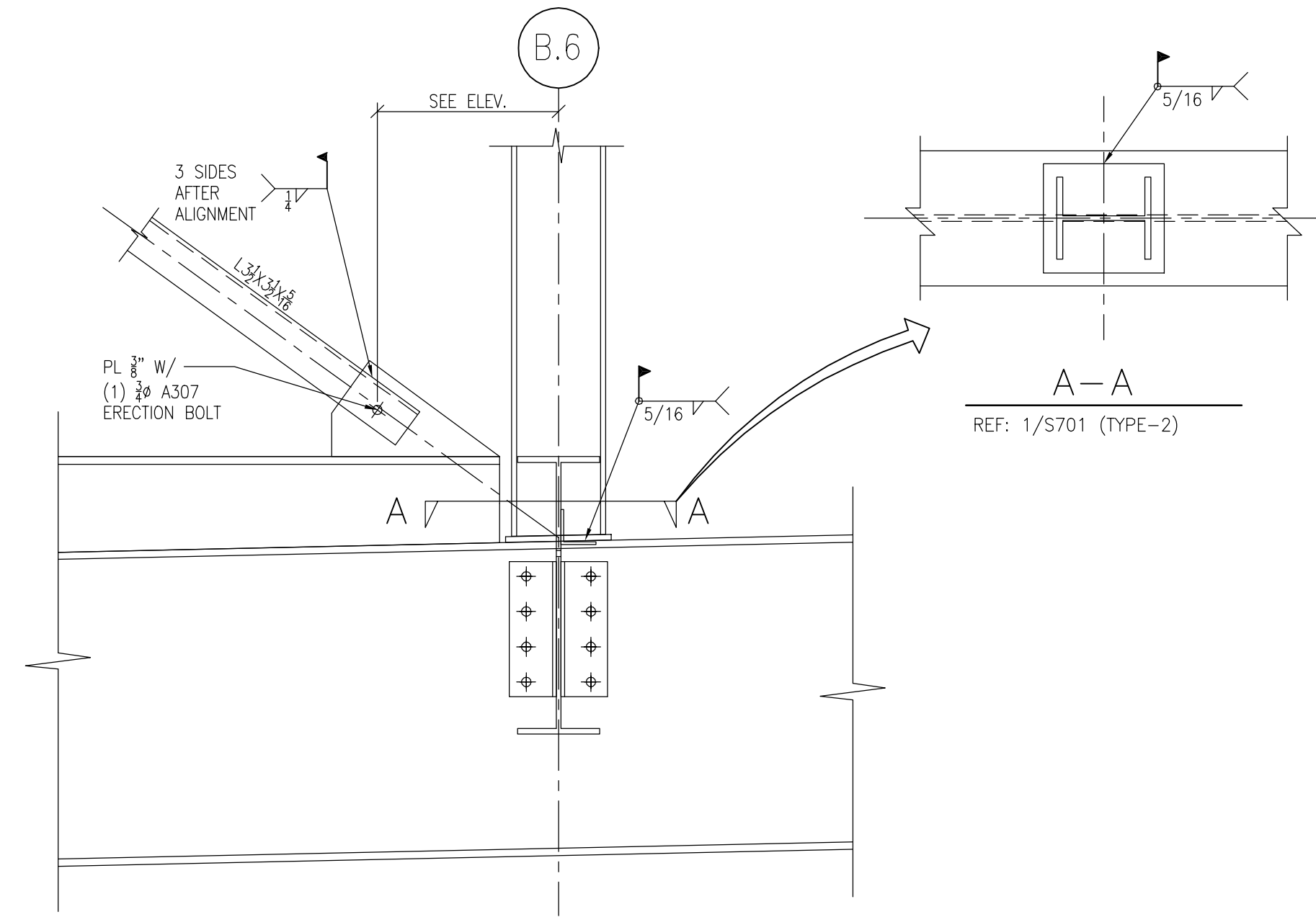
14  
E401



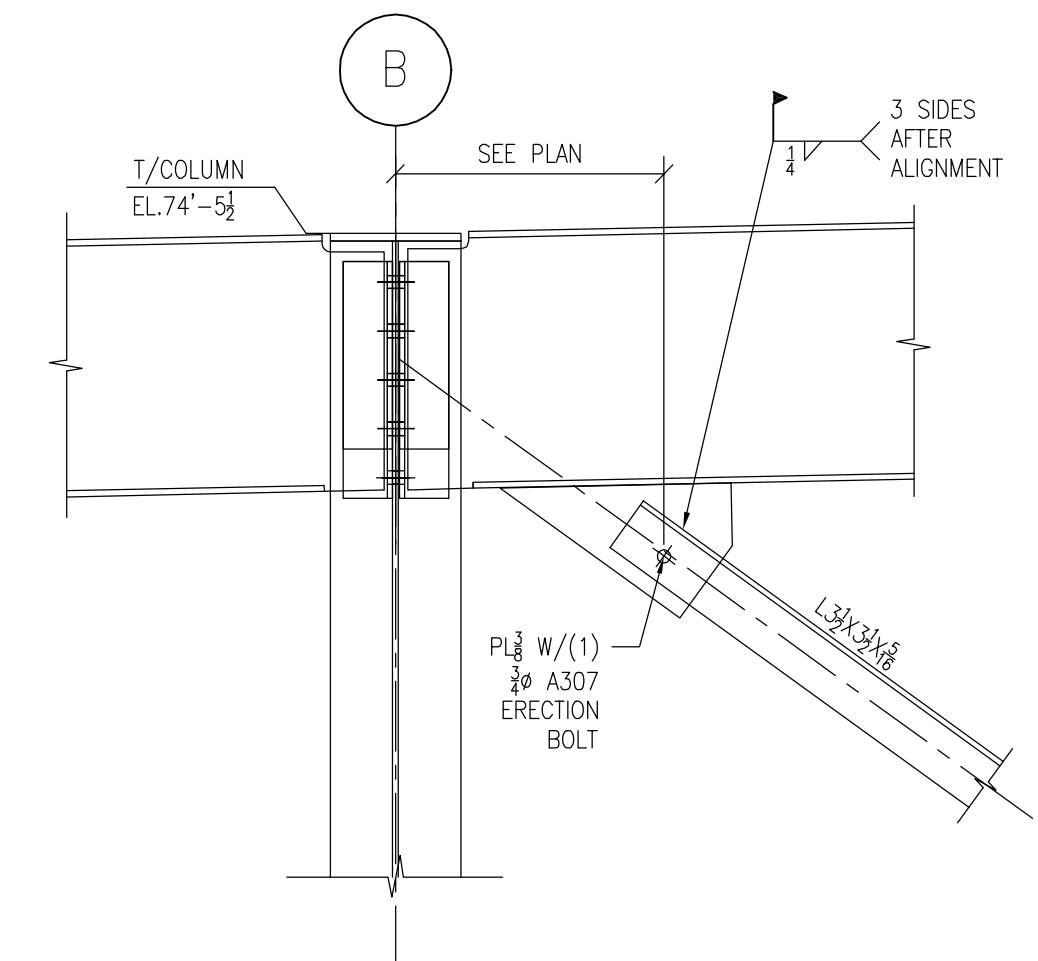
ELEVATION @ GRID 17 1  
 REF: - E402



DETAIL 2  
 REF: - E402



DETAIL 3  
 REF: - E402



DETAIL 4  
 REF: - E402